

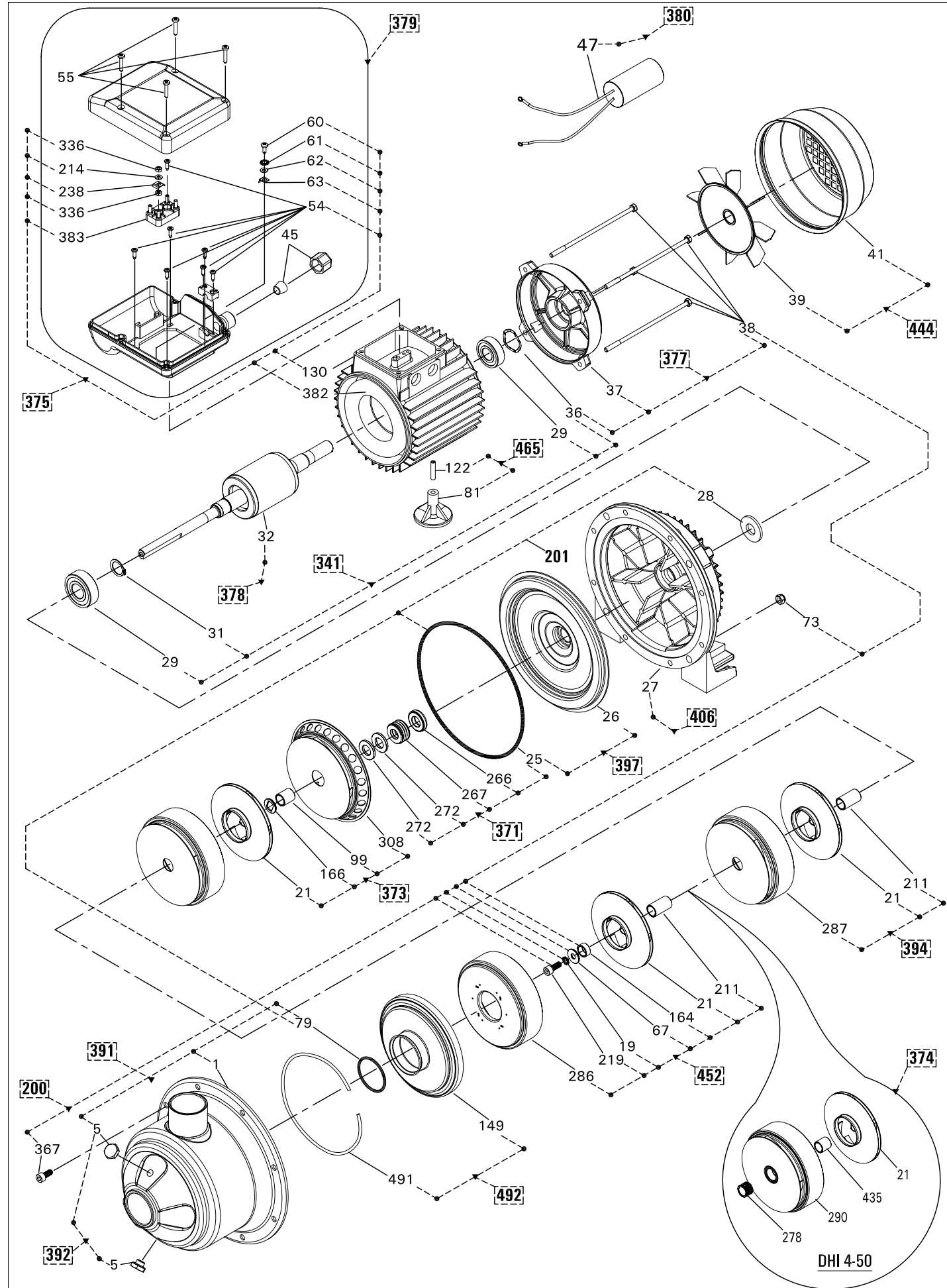
Pentair Water
 Pentair Water Italy S.r.l.
 Via Masaccio, 13
 56010 Lignano (PI)
 ITALY

Drawn A.Bertola
 Approved M.Bernacca

Title DHI 2
 Date (dd/mm/yy) 12/07/2010

Dwg # DR090009_00

Sheet 1 of 1



B

B

A

A

Pentair Water
 Pentair Water Italy S.r.l.
 Via Masaccio, 13
 56010 Lugnano (PI)
 ITALY

Drawn A.Bertola	Title DHI 4	Sheet 1 of 1
Approved M.Bernacca	Date (dd/mm/yy) 12/07/2010	Dwg # DR090008_00

This drawing is the absolute property of Pentair Water Italy S.r.l. It may not be reproduced in any form without the written permission of Pentair Water Italy S.r.l.