

# WATERPRESS SUPERINOX

## PRESSURE BOOSTER SET WITH 24 LT HORIZONTAL PRESSURE TANK

The Pressure booster set WATERPRESS SUPERINOX are made with a JETINOX self-priming centrifugal pump. They are supplied wired and complete with a stainless steel pressure tank.

### APPLICATIONS

- Lifting and distribution of water in domestic systems
- Pressurization systems.
- Washing and irrigation.

### CONSTRUCTION FEATURES

- Pressure switch (max 6 bar) set at: min 2 ÷ max 3 bar.
- Pressure gauge (6 bar).
- 5-way moulded brass plated connector.
- 24 Lt pressure tank in stainless steel with interchangeable rubber membrane for food.
- Tuboflex hydraulic connection.
- Power cable 1.5 m H05 RN-F with plug

### USAGE DATA

- Type of liquid: clean water without suspended solids or abrasive material.
- Maximum temperature of the liquid 50°C.
- Maximum intake height recommended with foot valve. 8 m WP Superinox 60/50
- Maximum operating pressure: 6 m WP Superinox 60/50

### MOTOR

- Closed, ventilated from outside.
- Degree of protection IP 44.
- Insulation class F.
- Single-phase power supply with capacitor always on.
- Thermal protection built into the motor casing.
- Speed of rotation 2850 rpm.
- Continuous service.



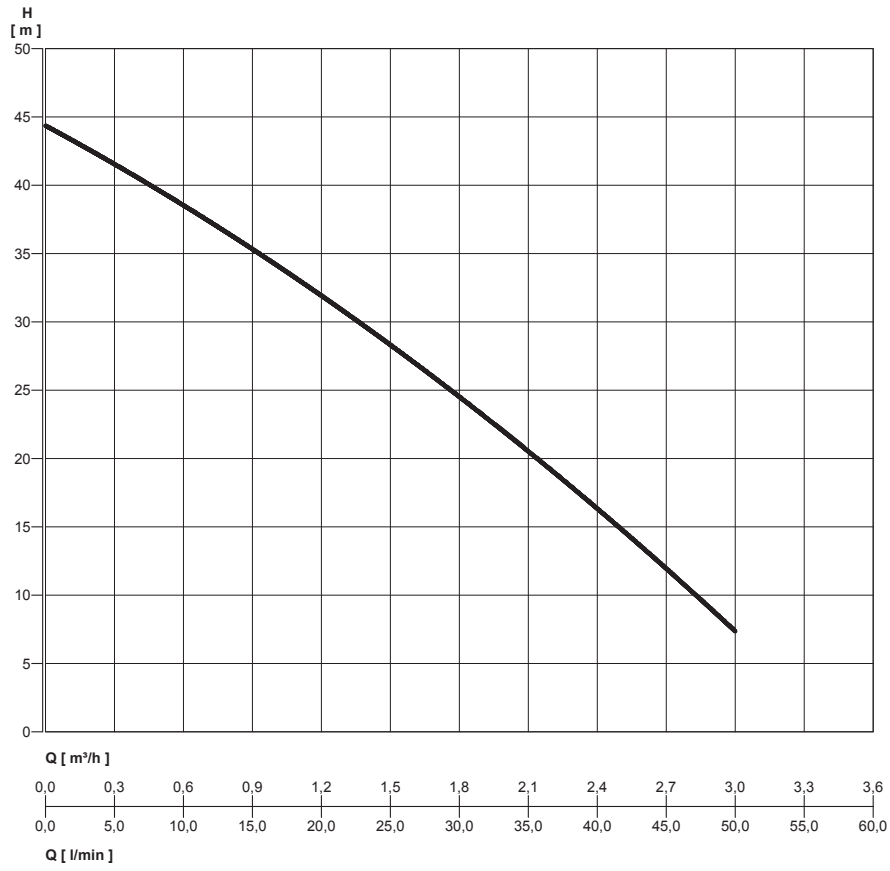
## TABLE OF MATERIALS

Component	Material
	WP SUPERINOX 60/50
Pump body	Stainless steel X5 CrNi 1810 (AISI 304)
Motor casing	Die-cast aluminium
Impellers	Technopolymer with stainless steel shim ring
Diffuser-Venturi tube-nozzle	Technopolymer
Shaft	Stainless steel X 12 CrNiS 1809 (AISI 416)
Mechanical seal	Graphite
Counterface	Ceramic
Seal holder plate	Technopolymer
Gaskets	NBR 70 shore

# WATERPRESS SUPERINOX

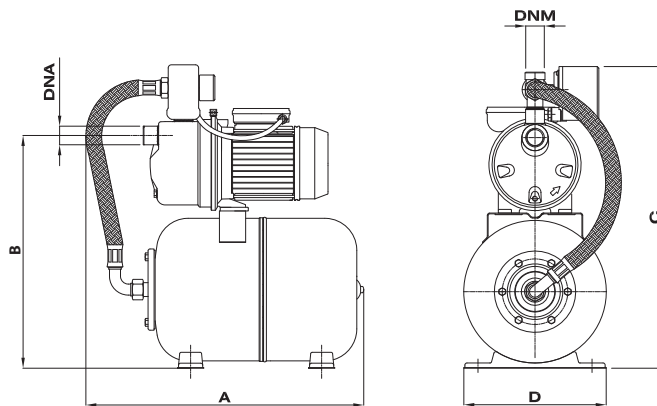
## PRESSURE BOOSTER SET WITH 24 LT HORIZONTAL PRESSURE TANK

### HYDRAULIC PERFORMANCE



### PERFORMANCE TABLE

MODEL	Motor power (P2)		Motor power (P1)		VOLT (V)	In (A)	μF	0	m.c.w.						
	HP	kW	HP	kW					l/min	0	10	20	30	40	50
									m³/h	0	0,6	1,2	1,8	2,4	3
WP SUPERINOX 60/50 C JET	0,75	0,55	1,1	0,8	1~230	4	12,5		46	36	31	26	18	6	



### OVERALL DIMENSIONS AND WEIGHTS

MODEL	Dimensions mm.						WEIGHT (Kg)
	A	B	C	D	DNA	DNM	
WP SUPERINOX 60/50 C	530	425	550	280	1" F	1" F	11,2