

WATERPRESS INOX

PRESSURE BOOSTER SET WITH 24 LT HORIZONTAL PRESSURE TANK

The Pressure booster set WATERPRESS INOX are made with a JETINOX type pump. They are supplied wired, complete with a 24 lt expansion tank, ready for installation and use.

APPLICATIONS

- Lifting and distribution of water in domestic systems
- Pressurization systems.
- Washing and irrigation.

CONSTRUCTION FEATURES

- Pressure switch (max 6 bar) set at: min 2 ÷ max 3 bar.
- Pressure gauge (6 bar).
- 5-way moulded brass plated connector.
- 24 lt expansion module in painted steel with interchangeable rubber membrane for food.
- Tuboflex hydraulic connection.
- Power cable 1.5 m H05 RN-F with plug

USAGE DATA

- Type of liquid: clean water without suspended solids or abrasive material.
- Maximum temperature of the liquid 50°C.
- Maximum intake height recommended 8 m with foot valve.
- Maximum operating pressure: 6 bar.

MOTOR

- Closed, ventilated from outside.
- Degree of protection IP 44.
- Insulation class F.
- Single-phase power supply with capacitor always on.
- Thermal protection built into the motor casing.
- Speed of rotation 2850 rpm.
- Continuous service.



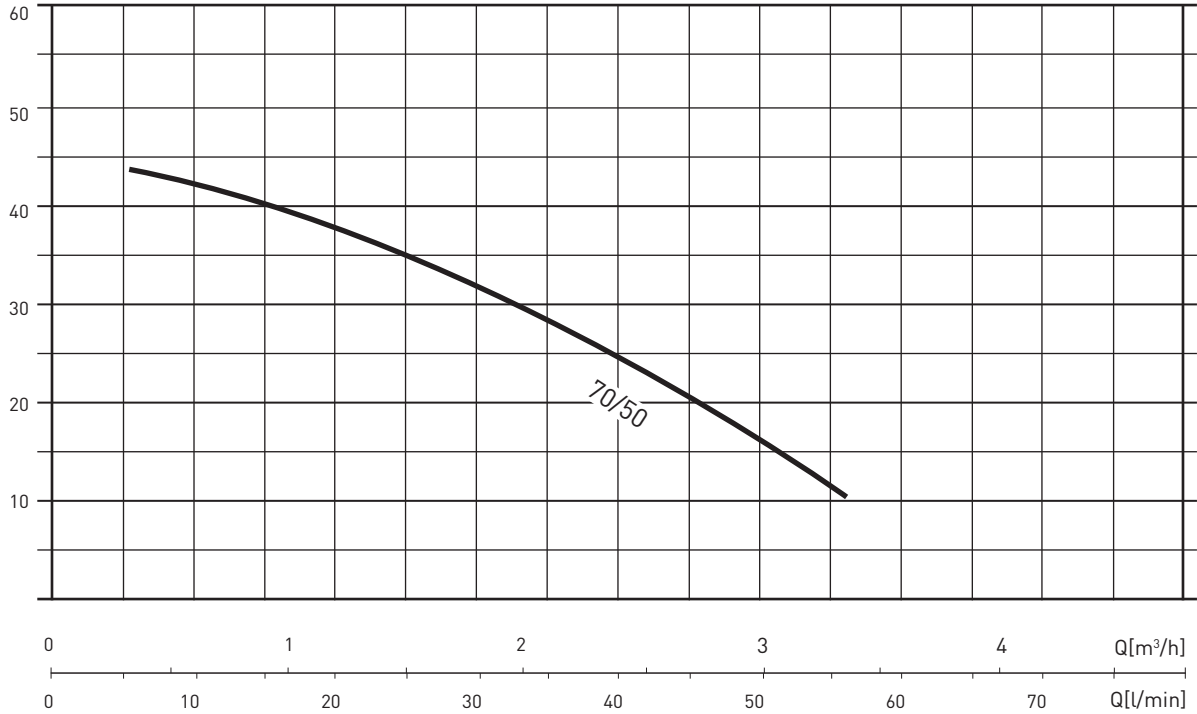
TABLE OF MATERIALS

Component	Material
	WP INOX 70/50
Pump body	Stainless steel X5 CrNi 1810 (Aisi 304)
Motor casing	Die-cast aluminium
Impellers	Technopolymer with stainless steel shim ring
Diffuser-Venturi tube-nozzle	Technopolymer
Shaft	Stainless steel X 12 CrNiS 1809 (AISI 416)
Mechanical seal	Graphite
Counterface	Ceramic
Gaskets	NBR 70 shore

WATERPRESS INOX

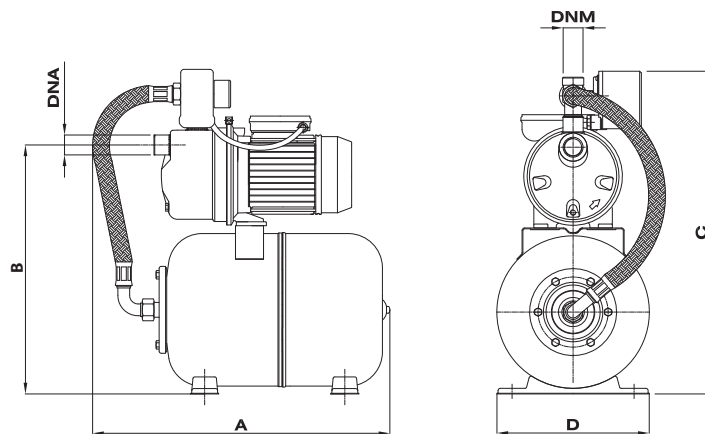
PRESSURE BOOSTER SET WITH 24 LT HORIZONTAL PRESSURE TANK

HYDRAULIC PERFORMANCE



PERFORMANCE TABLE

MODEL	Motor power (P2)		Motor power (P1)		VOLT (V)	In (A)	μF	Q	Flow Rate								
	HP	kW	HP	kW					l/min	0	20	40	60	80			
WP INOX 70/50	0,95	0,7	1,36	1,0	1~230	4,5	16	m.c.w.	48	37,5	25	7					
									0	1,2	2,4	3,6	4,8				



OVERALL DIMENSIONS AND WEIGHTS

MODEL	Dimensions mm.						WEIGHT (Kg)
	A	B	C	D	DNA	DNM	
WATERPRESS INOX 70/50	520	445	565	260	1" F	1" F	13,8