

WATERPRESS

PRESSURE BOOSTER SET WITH 24 LT HORIZONTAL PRESSURE TANK

The pressure booster set WATERPRESS are made with self-priming multi-stage centrifugal pumps of the JET series. They are supplied wired, complete with a 24 lt pressure tank, ready for installation and use.

APPLICATIONS

- Lifting and distribution of water in domestic systems
- Pressurization systems and irrigation.

CONSTRUCTION FEATURES

- Pressure switch (max 6 bar) set at: min 2 ÷ max 3 bar.
- Pressure gauge (6 bar).
- 3-way moulded brass plated connector (model Waterpress 70/50).
- 24 lt expansion tank in painted steel with interchangeable rubber membrane for food.
- Tuboflex hydraulic connection.
- Power cable 1.5 m H05 RN-F with plug

USAGE DATA

- Type of liquid: clean water without suspended solids or abrasive material.
- Maximum temperature of the liquid 50°C.
- Maximum intake height recommended 8 m with foot valve.
- Maximum operating pressure: 6 bar.

MOTOR

- Closed, ventilated from outside.
- Degree of protection IP 44.
- Insulation class F.
- Single-phase power supply with capacitor always on.
- Thermal protection built into the motor casing.
- Speed of rotation 2850 rpm.
- Continuous service.

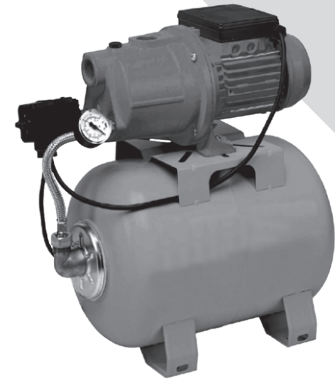


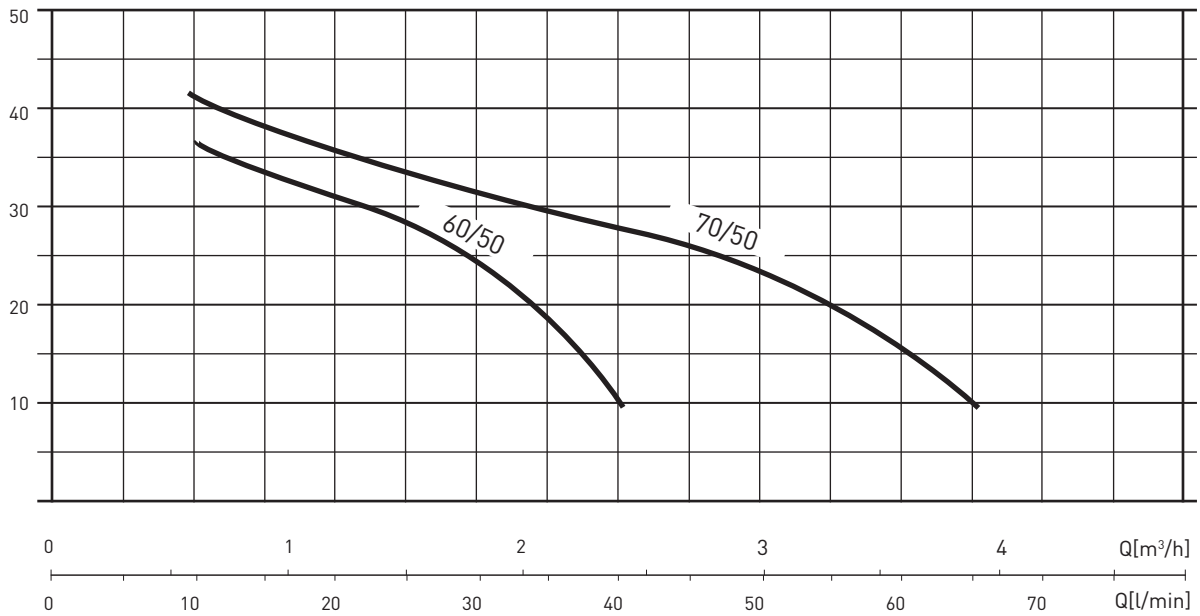
TABLE OF MATERIALS

Component	Material	
	WATERPRESS 40/40 - 60/50	WATERPRESS 70/50
Pump body	Cast iron EN GJL 200	Cast iron EN GJL 200
Motor casing	Aluminium	Cast iron EN GJL 200
Impellers	Technopolymer with stainless steel shim ring X5 CrNi 1810 (AISI 304)	Technopolymer
Diffuser-Venturi tube-nozzle	Monobloc group Technopolymer	Technopolymer
Motor shaft	Stainless steel X5 CrNi 1810 (AISI 304)	Stainless steel X5 CrNi 1810 (AISI 304)
Mechanical seal	Graphite	Graphite
Counterface	Ceramic	Ceramic
Gaskets	NBR 70 shore	NBR 70 shore

WATERPRESS

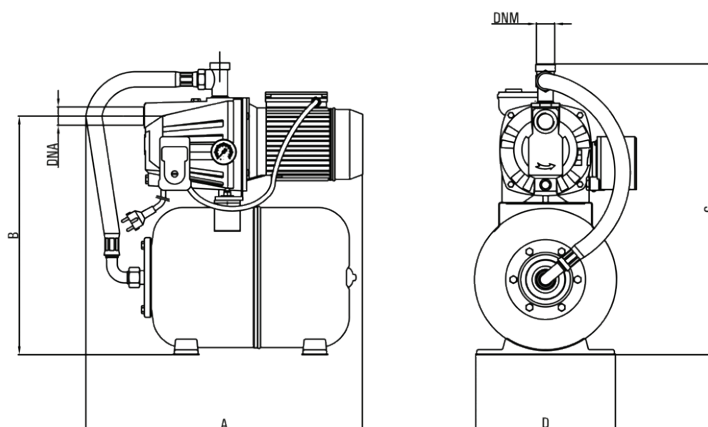
PRESSURE BOOSTER SET WITH 24 LT HORIZONTAL PRESSURE TANK

HYDRAULIC PERFORMANCE



PERFORMANCE TABLE

MODEL	Motor power (P2)		Motor power (P1)		VOLT (V)	In (A)	µF	Q	Flow rate							
	HP	kW	HP	kW					l/min	0	10	20	30	40	50	60
								m³/h	0	0,3	1,2	1,8	2,4	3	3,6	4,2
WATERPRESS 60/50	0,75	0,55	1,1	0,80	1~230	4	10	m.c.w.	46	36	31	24	9	4		
WATERPRESS 70/50	1,36	1	1,5	1,1	1~230	5	16	m.c.w.	49	41	36	32	28	25	15	3



OVERALL DIMENSIONS AND WEIGHTS

MODEL	Dimensions mm.						WEIGHT (Kg)
	A	B	C	D	DNA	DNM	
WATERPRESS 60/50	510	430	470	260	1" F	1" F	14,5
WATERPRESS 70/50	520	460	550	315	1" F	1" F	22,3