

NOCCHI WATERPRESS INOX 50 L PRESSURE UNITS WITH 50-LITER HORIZONTAL EXPANSION TANK

WATERPRESS INOX 50L pressure boosters are designed with electric self-priming multi-cell centrifugal pump models MAX.

They are supplied pre-wired, complete with 50-liter expansion tank and ready for installation and use.

APPLICATIONS

- Lifting and distribution of water in domestic systems.
- Pressure booster systems, washing and irrigation.

DESIGN SPECIFICATIONS

- WP INOX 80/48 - 50 L: electro-mechanical pressure switch (max 6 bar) set to min 2 - max 3 bar.
- WP INOX 120/60 - 50 L: electronic control and safety pressure switch AQUA TROL.
- Pump start-up pressure settable from 1.5 to 3 bar
- Pressure gauge (6 bar).
- 5-way connector in chrome-plated molded brass.
- 50-liter expansion tank in painted steel with interchangeable foodgrade rubber diaphragm.
- Hydraulic connection tuboflex hose.
- 1.5 m H05 RN-F power cable with plug.

APPLICATION DATA

- Type of liquid: clean water without suspended solid bodies or abrasive material.
- Maximum liquid temperature: 50°C.
- Maximum recommended suction height: 7 m with foot valve.
- Maximum operating pressure: 7 bar.

MOTOR

- Closed, ventilated from exterior.
- Protection rating IP 44.
- Insulation class F.
- Single phase power supply with permanently activated capacitor.
- Thermal cutout protection incorporated in motor winding.
- Rotation speed 2850 rpm.
- Continuous duty.



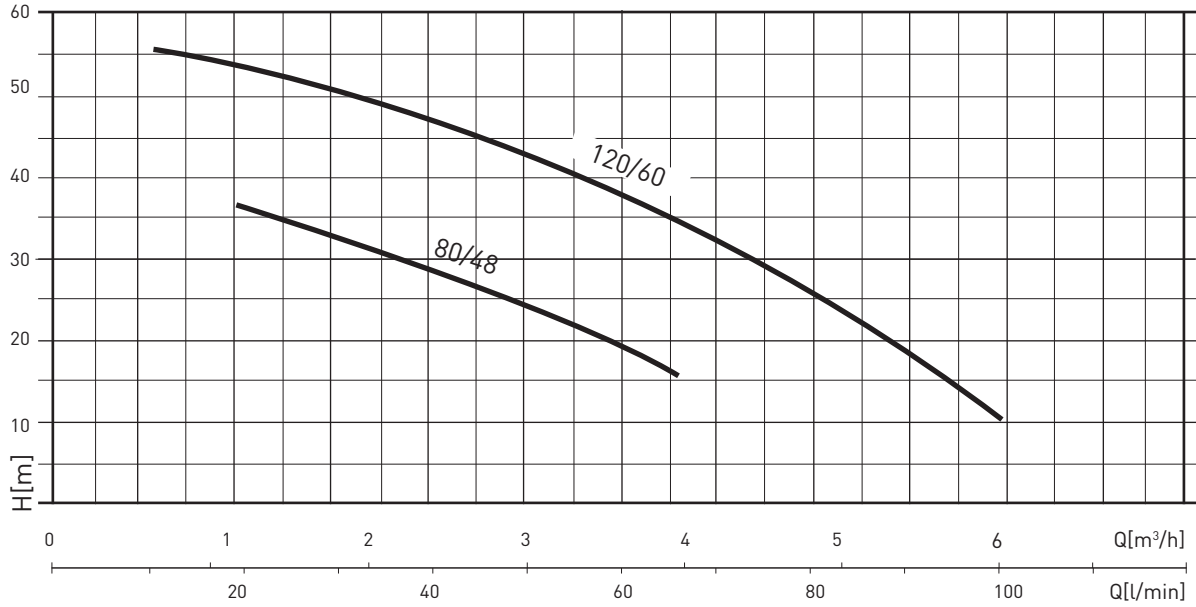
TABLE OF MATERIALS

| Component | Material |
|---------------------------|---|
| Pump body | Stainless steel X5 CrNi 1810 (AISI304) |
| Motor bracket | Die cast aluminum |
| Impellers | Technopolymer with shim ring in stainless steel |
| Diffusers | Technopolymer |
| Shaft (hydraulic section) | Stainless steel X5 CrNi 1810 (AISI 304) |
| Mechanical gasket | Graphite |
| Gasket backing plate | Technopolymer |
| Seals | NBR 70 Shore |
| O-rings | NBR 70 Shore |

NOCCHI WATERPRESS INOX 50 L

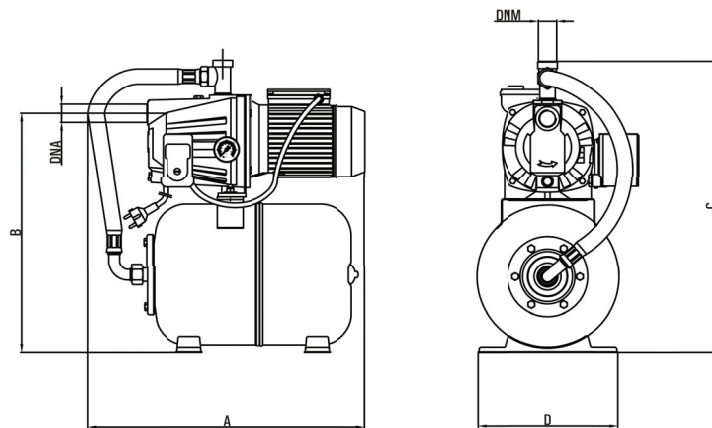
PRESSURE UNITS WITH 50-LITER HORIZONTAL EXPANSION TANK

HYDRAULIC PERFORMANCE



PERFORMANCE TABLE

| MODEL | Motor output (P2) | | Motor output (P1) | | VOLT | In (A) | μF | Q | L/min | | | | |
|-----------------------|-------------------|------|-------------------|------|-----------------|--------|------|-------------------|-------|----|----|----|----|
| | HP | kW | HP | kW | | | | | 0 | 20 | 40 | 60 | 80 |
| WP INOX 80/48 - 50 L | 0.75 | 0.55 | 1.1 | 0.80 | 1 ~ 230 V | 4 | 12.5 | m.c.a./ m.w.c. | 45 | 36 | 28 | 17 | 1 |
| WP INOX 120/60 - 50 L | 1.2 | 0.9 | 1.7 | 1.25 | 1 ~ 230 - 240 V | 5.8 | 20 | | 60 | 55 | 48 | 36 | 26 |



OVERALL DIMENSIONS AND WEIGHTS

| MODEL | Dimensions (mm) | | | | | | Weight (kg) |
|-------------------|-----------------|-----|-----|-----|------|------|-------------|
| | A | B | C | D | DNA | DNM | |
| WATERPRESS 80/48 | 640 | 520 | 640 | 370 | 1" F | 1" F | 18 |
| WATERPRESS 120/60 | 640 | 520 | 640 | 370 | 1" F | 1" F | 21 |