

NOCCHI EXPANSION TANKS

STAINLESS STEEL

NOCCHI expansion tanks are constructed in AISI 304 stainless steel, with a range of 7 models to meet all the demands of civil and industrial systems and guarantee suitability of the product in food applications. Ideal for particularly humid environments. CE certified.

HORIZONTAL

Interchangeable membrane in Bromobutyl rubber, 24-liter capacity, with bracket for assembly of electric pump and support stand. Pre-charged to 1.5 bar.

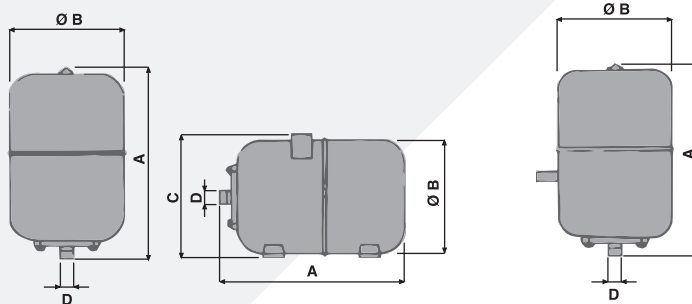
VERTICAL

Interchangeable membrane in Bromobutyl rubber, 8-20-24-liter capacity. The latter version is also available without membrane with air supply unit. Pre-charged to 1.5 bar.



TECHNICAL SPECIFICATIONS

MODEL	Description	Type of diaphragm	Bracket feet	Maximum operating pressure (bar)	Capacity L
VES INOX N 8	8-liter stainless steel vertical expansion tank	Bromobutyl rubber	-	8	8
VES INOX N 20	20-liter stainless steel vertical expansion tank	Bromobutyl rubber	-	8	20
VES INOX N 24	24-liter stainless steel vertical expansion tank	Bromobutyl rubber	-	8	24
VES INOX N 24 H	24-liter stainless steel horizontal expansion tank	Bromobutyl rubber	yes	8	24
VAA 24	24-liter stainless steel tank with provision for air supply	-	-	8	24



OVERALL DIMENSIONS AND WEIGHTS

MODEL	Dimensions (mm)				Weight (kg)
	A	Ø B	C	D	
N 8	280	226	-	1"	2.4
N 20	390	272	-	1"	3.3
N 24	430	272	-	1"	5
N 24 H	430	272	330	1"	4.2
VAA 24	430	272	443	1"	4.2

NOCCHI EXPANSION TANKS

PAINTED STEEL

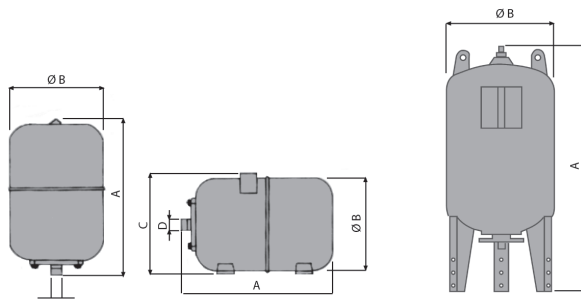
TECHNICAL SPECIFICATIONS

MODEL	Description	Type of diaphragm	Bracket feet	Maximum operating pressure (bar)	Capacity L
VES 2	2-liter expansion tank	Foodgrade rubber	-	6	2
VES 24 V	24-liter vertical expansion tank	Foodgrade rubber	-	6	24
VES 24 H	24-liter horizontal expansion tank	Foodgrade rubber	yes	6	24
VEC 60 V	60-liter vertical expansion tank	Butyl rubber	yes	10	60
VEC 100 V	100-liter vertical expansion tank	Butyl rubber	yes	10	100
VEC 200 V	200-liter vertical expansion tank	Butyl rubber	yes	10	200
VEC 300 V	300-liter vertical expansion tank	Butyl rubber	yes	10	300
VEC 500 V	500-liter vertical expansion tank	Butyl rubber	yes	10	500

Expansion tanks for water lifting systems, in painted steel, from 2 to 500 liter capacity, with interchangeable diaphragm.

Flange in painted carbon steel.

CE certified. Pre-charge: 1.5 bar on models from 2 to 24 L - 2.0 bar on models from 60 to 500 L. CE certified.



MODEL	Dimensions (mm)				Weight (kg)
	A	Ø B	C	D	
VES 2	175	155	-	1" M	0.950
VES 24 V	415	295	-	1" M	4.1
VES 24 H	415	-	310	1" M	4.8
VEC 60 V	845	382	-	1" M	17.5
VEC 100 V	950	450	-	1" M	19
VEC 200 V	1225	550	-	1" 1/2 M	37
VEC 300 V	1405	630	-	1" 1/2 M	54
VEC 500 V	1550	780	-	1" 1/2 M	104