

QES PLUS

SINGLE PHASE ELECTRICAL PANEL TO CONTROL A SUBMERSED PUMP WITH DIRECT START

MAIN COMPONENTS

- Plastic casing IP 55
- Switch with circuit breaker
- Motorprotector with reset button
- Starting capacitor
- Terminal board
- Cable gland

OPERATION

- Manual via main switch
- Automatic via external remote control (pressure switch, float, etc...)

OPTIONAL ACCESSORIES

- Floats or Pressure switches (see table)

TECHNICAL SPECIFICATIONS

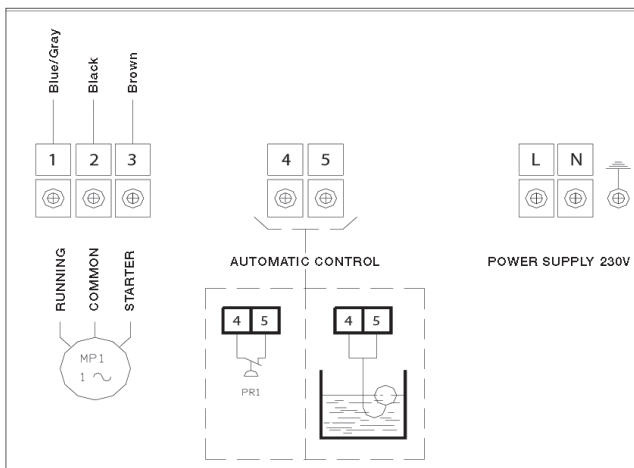
- Degree of protection: IP 55
- Power supply voltage: 230V/ 1F 50 Hz
- External dimensions: 115 - 185 - 65 mm
- Weight: Kg 0.6

LIMITS

- Ambient temperature: -5 / +40 °C
- Relative humidity: 50% at 40°C with no condensation.
- Reference standards: EN 60335-1 - EN 60439-1



MODEL	VOLT. (V)	Absorbed power (P1)		Field of application A	µF	COMPATIBLE PUMPS
		min kW	max kW			
QES PLUS 10/37 M	230 1F	0.37	0.55	4	16	SCM 4" PLUS SCM 4 HF 4" MOTORS
QES PLUS 10/55 M	230 1F	0.55	0.75	6	20	
QES PLUS 10/75 M	230 1F	0.75	1	7	30	
QES PLUS 10/75 M	230 1F	0.75	1	7	35	
QES PLUS 10/110 M	230 1F	1.1	1.5	9	40	
QES PLUS 10/150 M	230 1F	1.5	2	12	50	



EASYCONTROLLER

EASYCONTROLLER M10/M20 SINGLE PHASE AND EASYCONTROLLER D10/D20 THREE PHASE STARTERS FOR THE CONTROL OF 1 OR 2 SURFACE PUMPS OR DRAINAGE PUMPS

EASYCONTROLLER control panels are indicated for residential and industrial applications and they control single and three phase electric pumps installed as:

1 or 2 surface pumps or boosters for pressurizing

1 or 2 drainage pumps or boosters for sewage

MODEL	MAIN COMPONENTS	USAGE LIMITATIONS AND TECHNICAL FEATURES
<p>EASYCONTROLLER M10 / M20</p> 	<ul style="list-style-type: none"> • Plastic casing IP6X • Electronic board for control and protection • External control to select pressure switch or float switch use • Fuses holder for 1 or 2 pumps • Cable gland • Manual through MAN or AUT button • LED indicating line • Led electric fault (overload) • Led hydraulic fault • LED indicating pump in operation 	<ul style="list-style-type: none"> • Ambient temperature: -5 / +50 °C • Relative humidity: 50% at 40°C with no condensation • Reference standards: EN 60730, EN 61439, EN61000 • Degree of protection: IP6x • Power supply voltage: 220V/240V 1F 50 Hz
<p>EASYCONTROLLER D10 / D20</p> 	<ul style="list-style-type: none"> • Metal box IP54 • Main switch • Fuse-holder with fuses for the auxiliary circuit • Contactor with motor protective relay • Transformer for the auxiliary circuit • Terminal board for the level control devices • Cable gland • Manual through MAN or AUT button • Led indicating line • Led electric fault (overload) • Led hydraulic fault • Led indicating pump in operation 	<ul style="list-style-type: none"> • Ambient temperature: -5 / +50 °C • Relative humidity: 50% at 40°C with no condensation • Reference standards: EN 60730, EN 61439, EN61000 • Degree of protection: IP54 • Power supply voltage: 400V 3F 50 Hz
<p>EASYCONTROLLER M10/D10</p>	<p>Control box for 1 pump equipped with electronic board for signal and control</p>	<p>Manual operation via MAN or AUT button</p>
<p>EASYCONTROLLER M20/D20</p>	<p>Control box for 2 pumps equipped with electronic board for signal and control and cycling operation</p>	<p>Automatic operation through external device</p>

EASYCONTROLLER

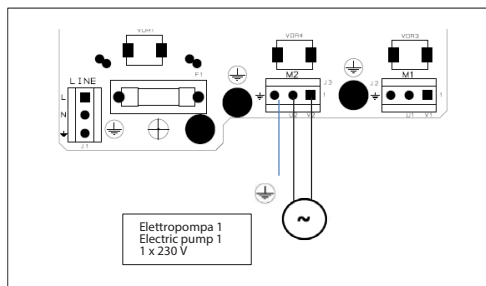
EASYCONTROLLER M10/D10 SINGLE PHASE FOR THE CONTROL OF 1 SURFACE OR DRAINAGE PUMP

PERFORMANCES DIMENSIONS AND WEIGHTS

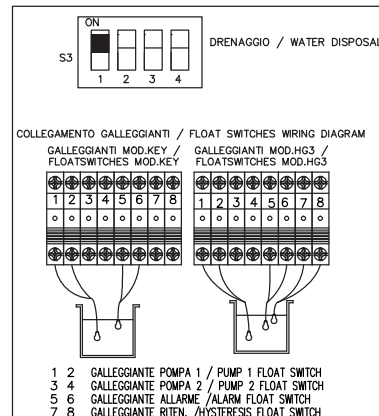
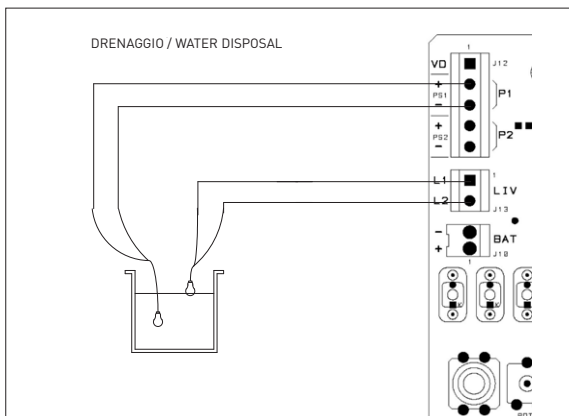
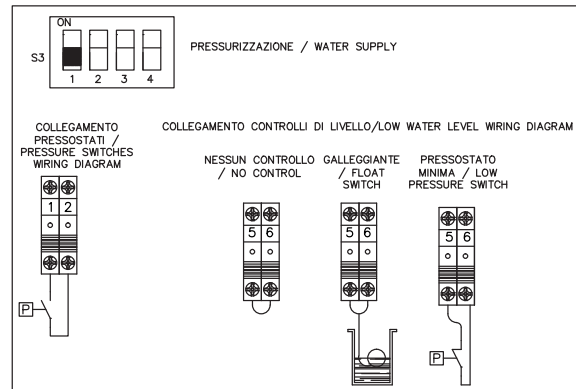
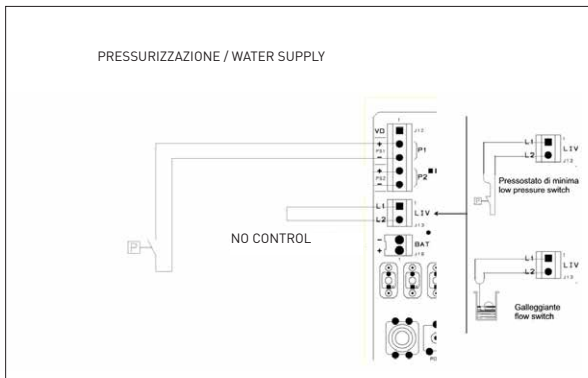
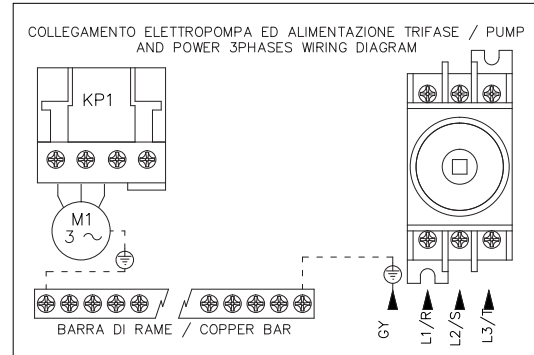
CODE	MODEL	VOLT (V)	P2		APPLICATION FIELD A		DIMENSIONS L x W x H mm	WEIGHT kg	ACCESSORIES
			kW	Hp	min	max			
UZQ14010	EASYCONTROLLER M10-240	1x230 1F	2,4	3,2	1	13	170 x 100 x 200	1,2	
UZQ14080	EASYCONTROLLER D10-110	3x230 3F	0,5	0,7	1,6	2,5	250 x 150 x 335	6,9	
		3x400 3F	1,1	1,5			250 x 150 x 335		
UZQ14090	EASYCONTROLLER D10-150	3x230 3F	1	1,3	2,5	4	250 x 150 x 335	6,9	UZA00200 optical and acoustic alarm CE040030 Fixing fins
		3x400 3F	1,5	2			250 x 150 x 335		
UZQ14100	EASYCONTROLLER D10-220	3x230 3F	1,5	2	4	6,3	250 x 150 x 335	6,9	
		3x400 3F	2,2	2,9			250 x 150 x 335		
UZQ14110	EASYCONTROLLER D10/110-400	3x230 3F	2,4	3,2	6,3	10	250 x 150 x 335	6,9	
		3x400 3F	4	5,5			250 x 150 x 335		
UZQ14210	EASYCONTROLLER D10/750	3x230 3F	4	5,5	10	16	250 x 150 x 335	6,9	
		3x400 3F	7,5	11			250 x 150 x 335		

CONNECTIONS

M10



D10



EASYCONTROLLER

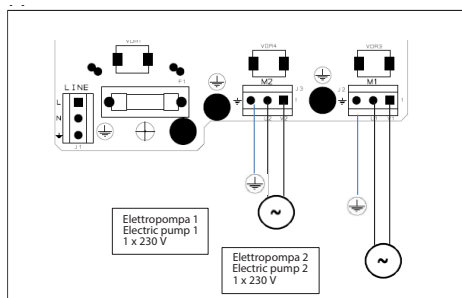
EASYCONTROLLER M10/D10 SINGLE PHASE FOR THE CONTROL OF 1 SURFACE OR DRAINAGE PUMP

PERFORMANCES DIMENSIONS AND WEIGHTS

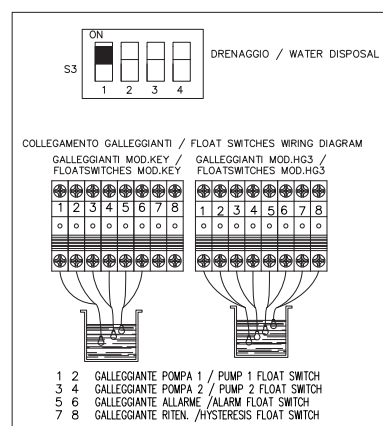
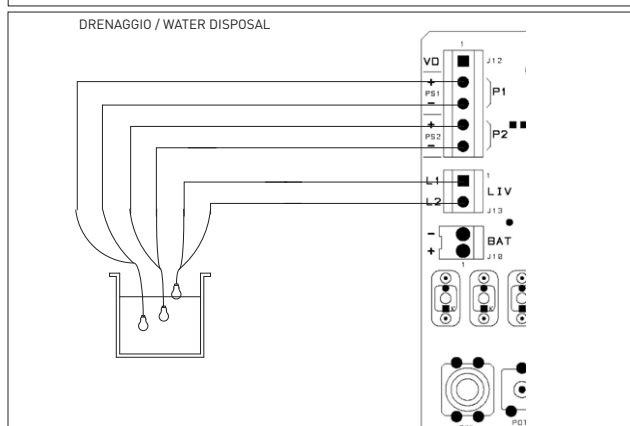
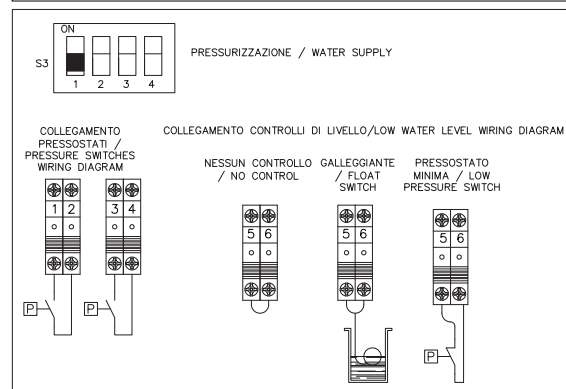
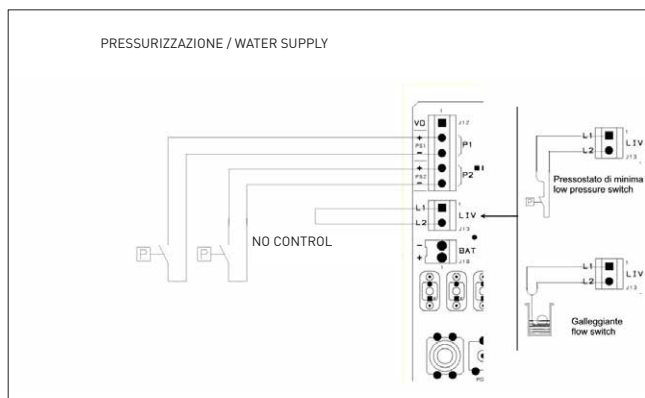
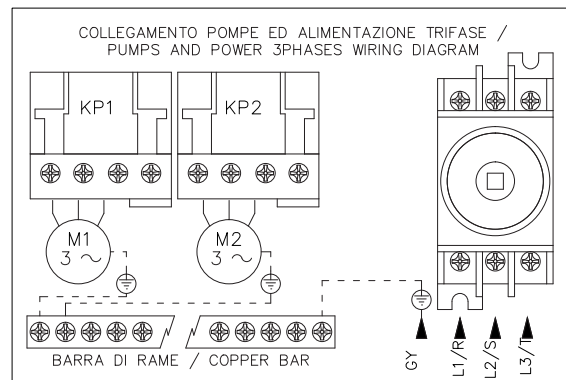
CODE	MODEL	VOLT (V)	P2		APPLICATION FIELD A		DIMENSIONS L x W x H mm	WEIGHT kg	ACCESSORIES
			kW	Hp	min	max			
UZQ14020	EASYCONTROLLER M20-240	1x230 1F	2x2,4	2x3,2	1	13	170 x 100 x 200	1,2	
UZQ14150	EASYCONTROLLER D20-110	3x230 3F	2x0,5	2x0,7	1,6	2,5	250 x 150 x 335	6,9	UZA00200 optical and acoustic alarm CE040030 Fixing fins Float switches (see specific table)
		3x400 3F	2x1,1	2x1,5			250 x 150 x 335		
UZQ14140	EASYCONTROLLER D20-150	3x230 3F	2x1	2x1,3	2,5	4	250 x 150 x 335	6,9	
		3x400 3F	2x1,5	2x2			250 x 150 x 335		
UZQ14130	EASYCONTROLLER D20-220	3x230 3F	2x1,5	2x2	4	6,3	250 x 150 x 335	6,9	
		3x400 3F	2x2,2	2x2,9			250 x 150 x 335		
UZQ14120	EASYCONTROLLER D20-400	3x230 3F	2x2,4	2x3,2	6,3	10	250 x 150 x 335	6,9	
		3x400 3F	2x4	2x5,5			250 x 150 x 335		
UZQ14220	EASYCONTROLLER D20-750	3x230 3F	2x4	2x5,5	10	16	320 x 230 x 450	9,7	
		3x400 3F	2x7,5	2x11			320 x 230 x 450		

CONNECTIONS

M20



D20



ADRY

THREE-PHASE ELECTRICAL PANELS TO CONTROL ONE OR TWO DRAINAGE AND SEWAGE PUMPS WITH STAR-DELTA START-UP

MAIN COMPONENTS

- Metal box IP54
- Main switch
- Fuse-holder with fuses for pump
- Fuse-holder with fuses for the auxiliary circuit
- Contactor with thermal relay
- Transformer for the auxiliary circuit
- Terminal board for the level control devices
- Cable gland
- Electronic board indicating Volt/Amp
- LED for thermal lock
- LED indicating pump in operation
- LED indicating line

TECHNICAL SPECIFICATIONS

- Degree of protection: IP54
- Power supply voltage: 400V 3F 50 Hz
- External dimensions: 500 - 750 - 250 mm

OPERATION

- Manual via MAN or AUT switch
- Automatic via float switch

LIMITS

- Ambient temperature: -5 / +40 °C
- Relative humidity: 50% at 40°C with no condensation.
- Reference standards: EN 60730 - EN 60439

ADRY 20

- Electronic warning and control device with start-up sequence inverter
- Electrical panel controlling two pumps
- Weight: Kg 15 - 85

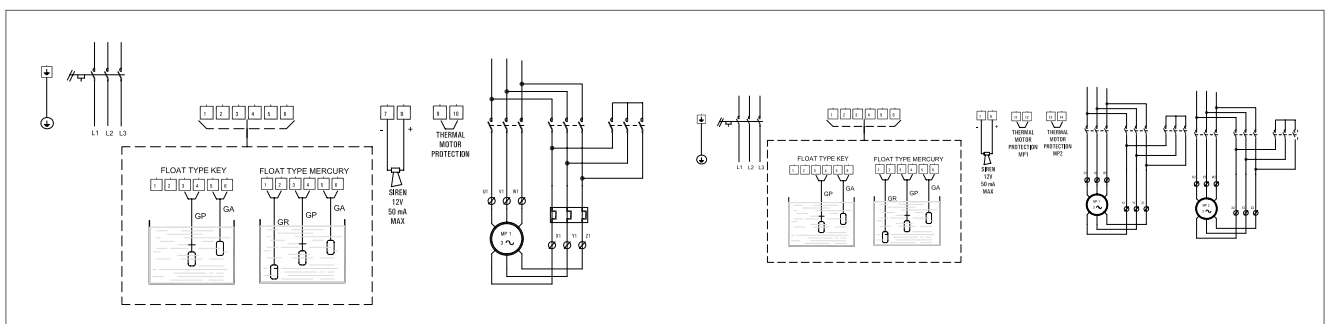
ADRY 10

- Electronic board for command and control
- Electrical panel controlling an pump
- Weight: Kg 12 - 60

OPTIONAL ACCESSORIES

- UZA00200 Optical and acoustic alarm
- CE040020 tabs for wall mounting
- Floats (see table)

MODEL	VOLT. (V)	Absorbed power (P1)		Field of application A		COMPATIBLE PUMPS
		kW	Hp	min	max	
Q.E. ADRY10/900	400 3F	9	12	12.9	19	
Q.E. ADRY10/1100	400 3F	11	15	17.2	24.1	
Q.E. ADRY10/1500	400 3F	15	20	22.4	32.8	
Q.E. ADRY10/2200	400 3F	22	30	29.3	44.8	
Q.E. ADRY10/2500	400 3F	25	33.5	37.9	55.2	
Q.E. ADRY20/900	400 3F	2x9	2x12	12.9	19	PUMPS for drain
Q.E. ADRY20/1100	400 3F	2x11	2x15	17.2	24.1	
Q.E. ADRY20/1500	400 3F	2x15	2x20	22.4	32.8	
Q.E. ADRY20/2200	400 3F	2x22	2x30	29.3	44.8	
Q.E. ADRY20/2500	400 3F	2x25	2x33.5	37.9	55.2	



ACCESSORIES FOR ELECTRICAL PANELS

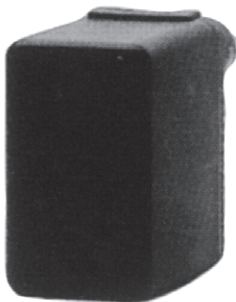
LEVEL ADJUSTMENT WITH COUNTERWEIGHTS

Key type level regulator for emptying and filling operations equipped with a 3 m or 10 m cable, suitable for use with clean water or featuring small amounts of suspended solids.



MODEL	ELECTRICAL PANEL
MICROSTART 3-3 Emptying/Filling	QES PLUS - AT
MICROSTART 10-2 Filling	All panels that use external control
MICROSTART 5-2 Filling	All panels that use external control
MICROSTART 10-2 (PVC) Filling	All panels that use external control
MICROSTART 10-3 Emptying/Filling	QES PLUS- AT

PRESSURE SWITCHES



MODEL	ELECTRICAL PANEL
PN 5 ITL (6 Atm. Max)	QES PLUS -AT
PN 12 ITL (12 Atm. Max)	QES PLUS -AT
PN 6 TEL (6 Atm. Max)	QES PLUS -AT
PN 12 TEL (12 Atm. Max)	QES PLUS -AT