

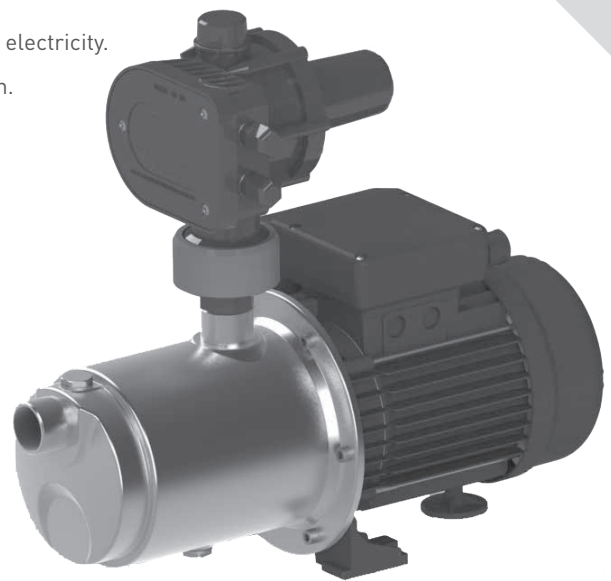
FP/MULTI EVO-A PUMPS WITH ELECTRONIC CONTROL AND PROTECTION DEVICE

High hydraulic performance

Automatic unit to increase the pressure in the domestic water system. Consisting of a single phase pump like **Multi EVO-A** and of the electronic device FLUSSCONTROL BASIC, which controls the automatic operation of the pump and protects it in case of a lack of water. It comes assembled, wired, ready for

installation and use.

- High hydraulic performance regarding pressure and capacity
- Minimum consumption of electricity.
- Extremely silent operation.



ADVANTAGES

- Reduces water hammers
- Replaces the traditional system of the expansion module
- Requires no maintenance
- Protection in case of a lack of water
- Very easy to install and ready for use (Plug & Play).

SPECIFICATIONS:

PUMP

- Type of liquid: clean water without suspended solids or abrasive material
- Maximum temperature of the liquid 50°C
- Maximum recommended intake height: 6 m with bottom valve.
- Maximum operating pressure 8 bar

MOTOR

- Closed, ventilated from outside (TEFC)
- 2 poles, 50 Hz (n=2850 rpm)
- Degree of protection IP 55
- Insulation class F
- Single-phase power supply with capacitor permanently on and thermal protection built into the motor casing.
- Three-phase power supply with external protection provided by the user.



APPLICATIONS

- Lifting and distribution of water in domestic systems
- Pressurization systems
- Irrigation
- Washing systems
- Recovery of rainwater



FP/MULTI EVO-A

PUMPS WITH ELECTRONIC CONTROL AND PROTECTION DEVICE

CONSTRUCTION FEATURES

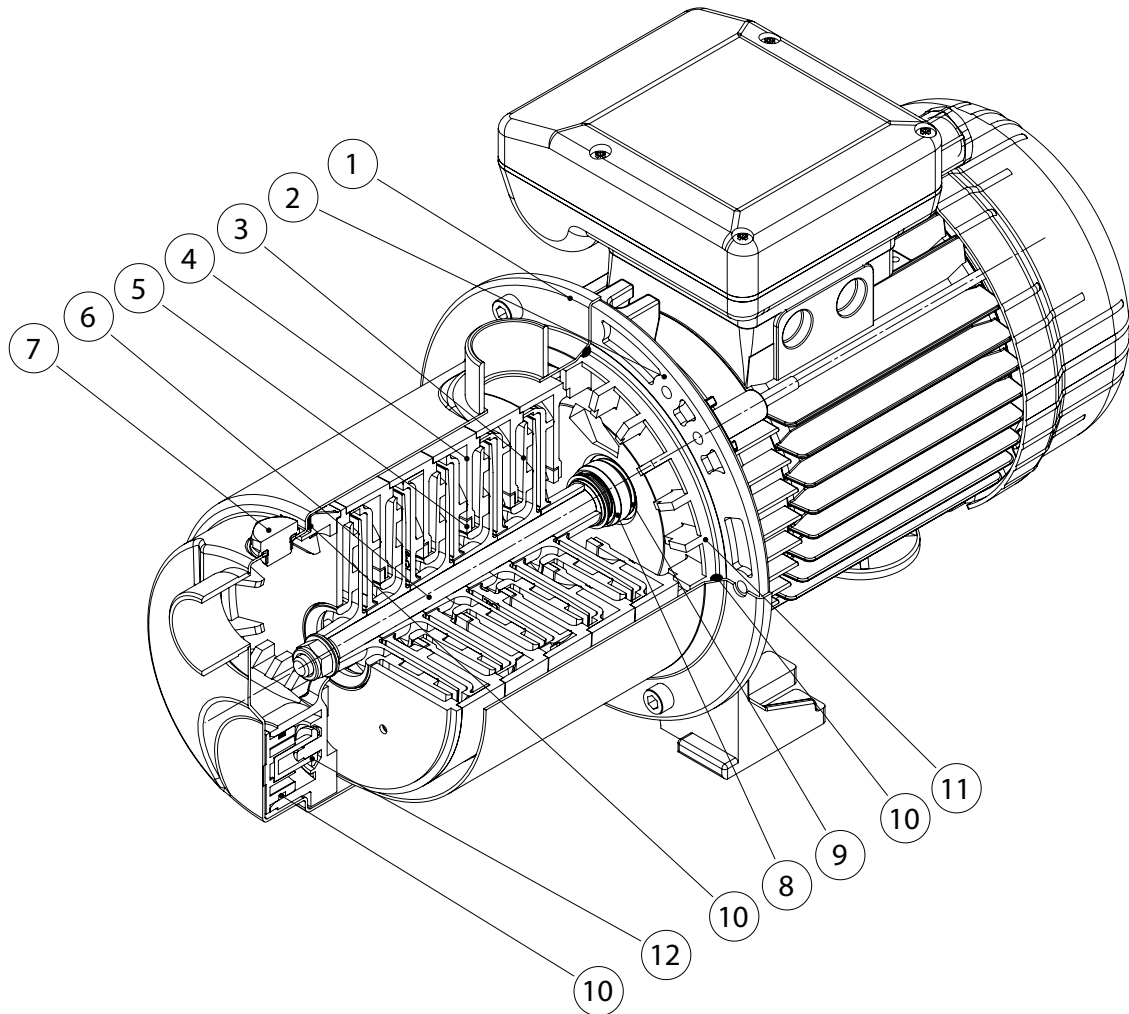


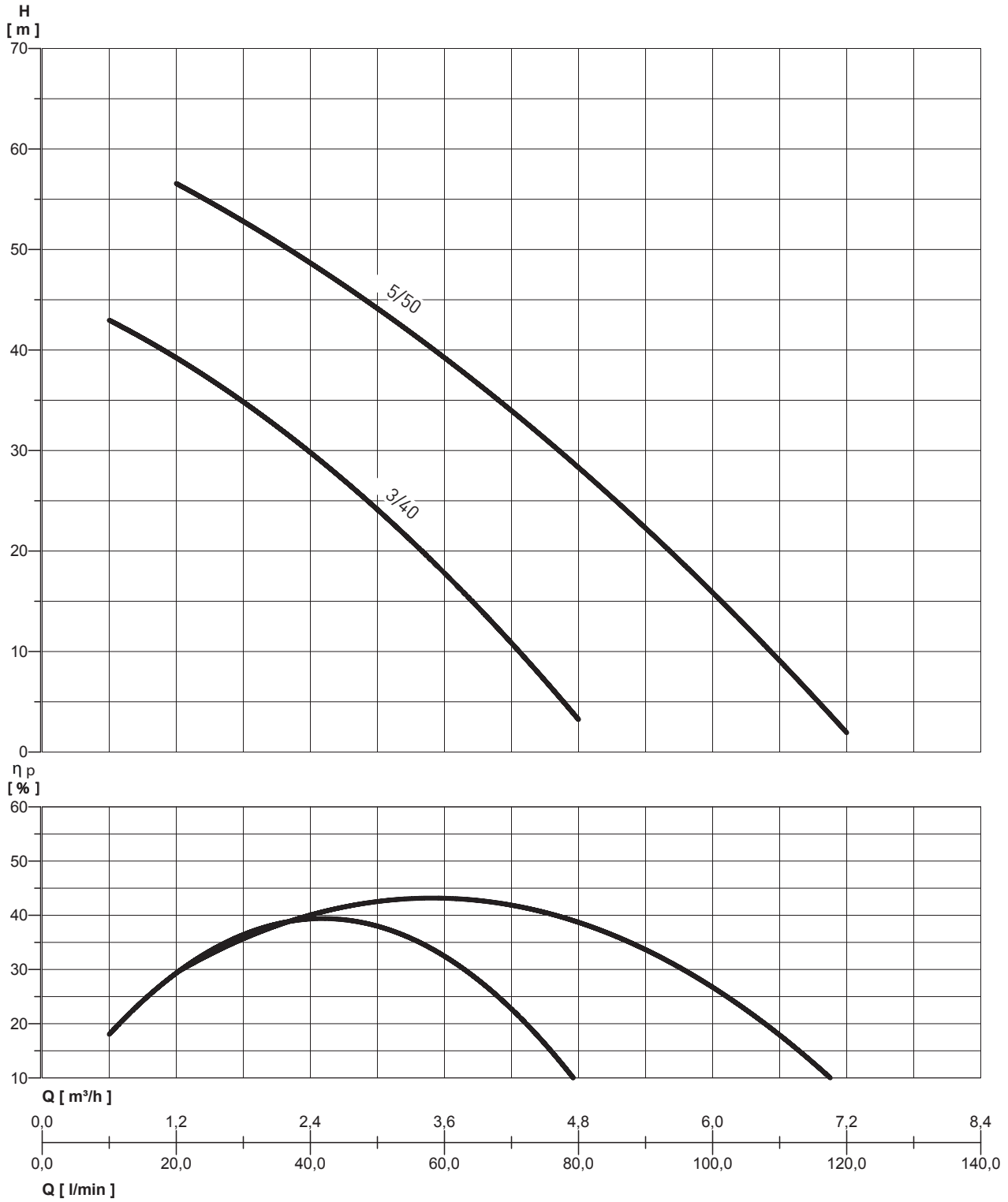
TABLE OF MATERIALS

Ref.	Component	Material
1	Pump body	Stainless steel Europe: EN10088-1 X5CrNi18-10 (1.4301) USA: AISI 304
2	Motor casing	Die-cast aluminium
3	Impeller	PPO reinforced with fibreglass
4	Diffuser	PPO reinforced with fibreglass
5	Wear ring	PTFE
6	Shaft (hydraulic part)	Stainless steel Europe: EN10088-1 X5CrNi18-10 (1.4301) USA: AISI 304
7	Inlet / outlet caps	Stainless steel Europe: EN10088-1 X8CrNiS18-9 (1.4305) USA: AISI 303
8	Mechanical seal	Carbon graphite / NBR / SS Europe: EN10088-1 X5CrNi18-10 (1.4301) USA: AISI 304
9	Counterface	Ceramic / NBR
10	Gaskets	NBR 70 Shore A
11	Seal holder plate	PPO reinforced with fibreglass
12	Priming valve	PPO reinforced with fibreglass

FP/MULTI EVO-A 3 - 5

PUMPS WITH ELECTRONIC CONTROL AND PROTECTION DEVICE

HYDRAULIC PERFORMANCE

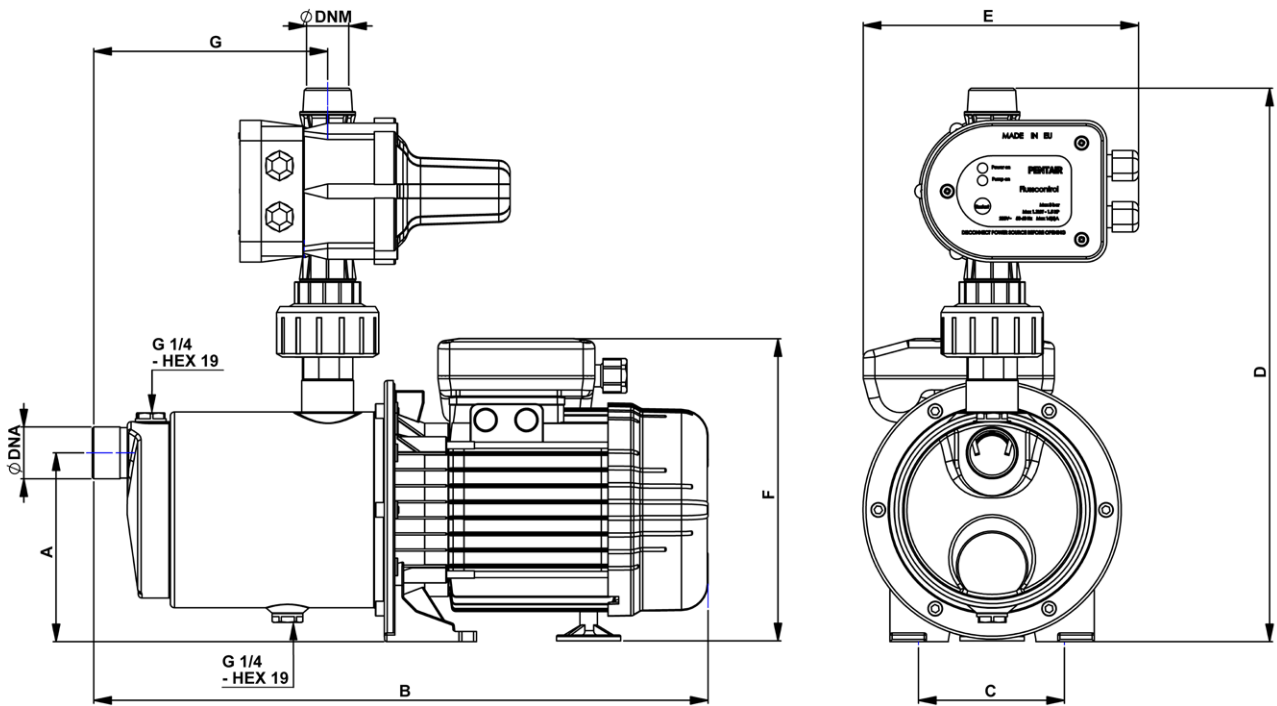


FP/MULTI EVO-A 3 - 5

PUMPS WITH ELECTRONIC CONTROL AND PROTECTION DEVICE

PERFORMANCE TABLE

MODEL	Nominal power (P2)		Absorbed power (P1)		VOLT. (V)	In (A)	μF	0	total head in water column metres										
	HP	kW	HP	kW					l/min	10	20	30	40	50	60	80	100	120	
									0	0,6	1,2	1,8	2,4	3	3,6	4,8	6	7,2	
FP/MULTI EVO-A 3-40 M	0,74	0,55	1,1	0,8	1~230	3,7	12,5		42,5	39,5	35,5	30	23,5	17,5	3,5				
FP/MULTI EVO-A 5-50 M	1,27	0,95	1,8	1,35	1~230	6,2	20			56	53	49	44,5	39,5	28	15	2,5		



OVERALL DIMENSIONS AND WEIGHTS

MODEL	Dimensions mm.									WEIGHT (Kg)
	A	B	C	D	E	F	G	DNA	DNM	
FP/MULTI EVO-A 3-40 M	129	380	100	380	190	199	139	1"	1"	8,5
FP/MULTI EVO-A 5-50 M	129	422	100	380	190	207	162	1"	1"	11,8