

DOMINATOR 5 RW Pack

MULTISTAGE SUBMERSIBLE PUMP

100% Stainless steel

DOMINATOR 5 RW Pack is a system consisting of a multi-stage submersible centrifugal pump complete with an on/off device, intake tube, floating filter and 20 m of nylon rope.

Ready to use for applications using rain water.

USAGE DATA

- Type of liquid: clean water without suspended solids or abrasive material
- Maximum temperature of the liquid 40°C
- Maximum immersion under the water level 17 m.

MOTOR

- Dry motor with body in stainless steel cooled by the pumped liquid.
- Degree of protection IP 68
- Insulation class F
- Single-phase power supply with capacitor always on.
- Thermal protection built into the motor casing.
- Cable connection chamber completely insulated.
- Self-lubricating ball bearings.
- Speed of rotation 2850 rpm.
- Suitable for continuous use.

APPLICATIONS

- Lifting of water from wells and rainwater collection tanks
- Small automatic systems for garden irrigation
- Rainwater recovery systems
- Surface irrigation



DOMINATOR 5 RW Pack

MULTISTAGE SUBMERSIBLE PUMP

CONSTRUCTION FEATURES

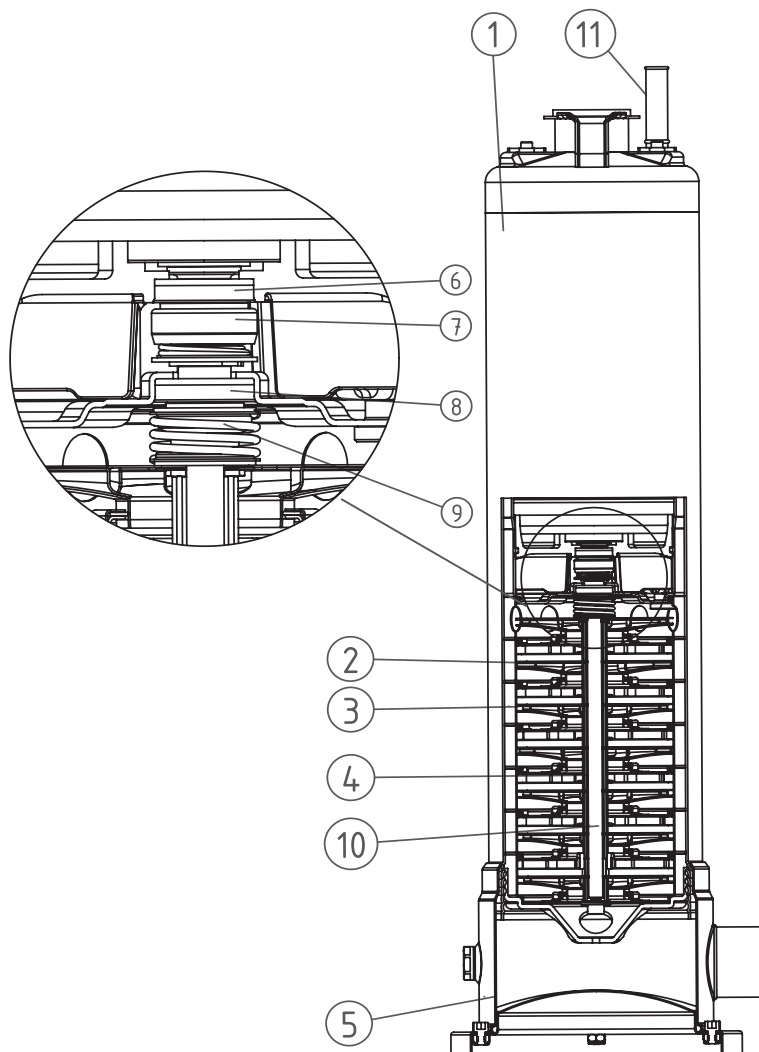


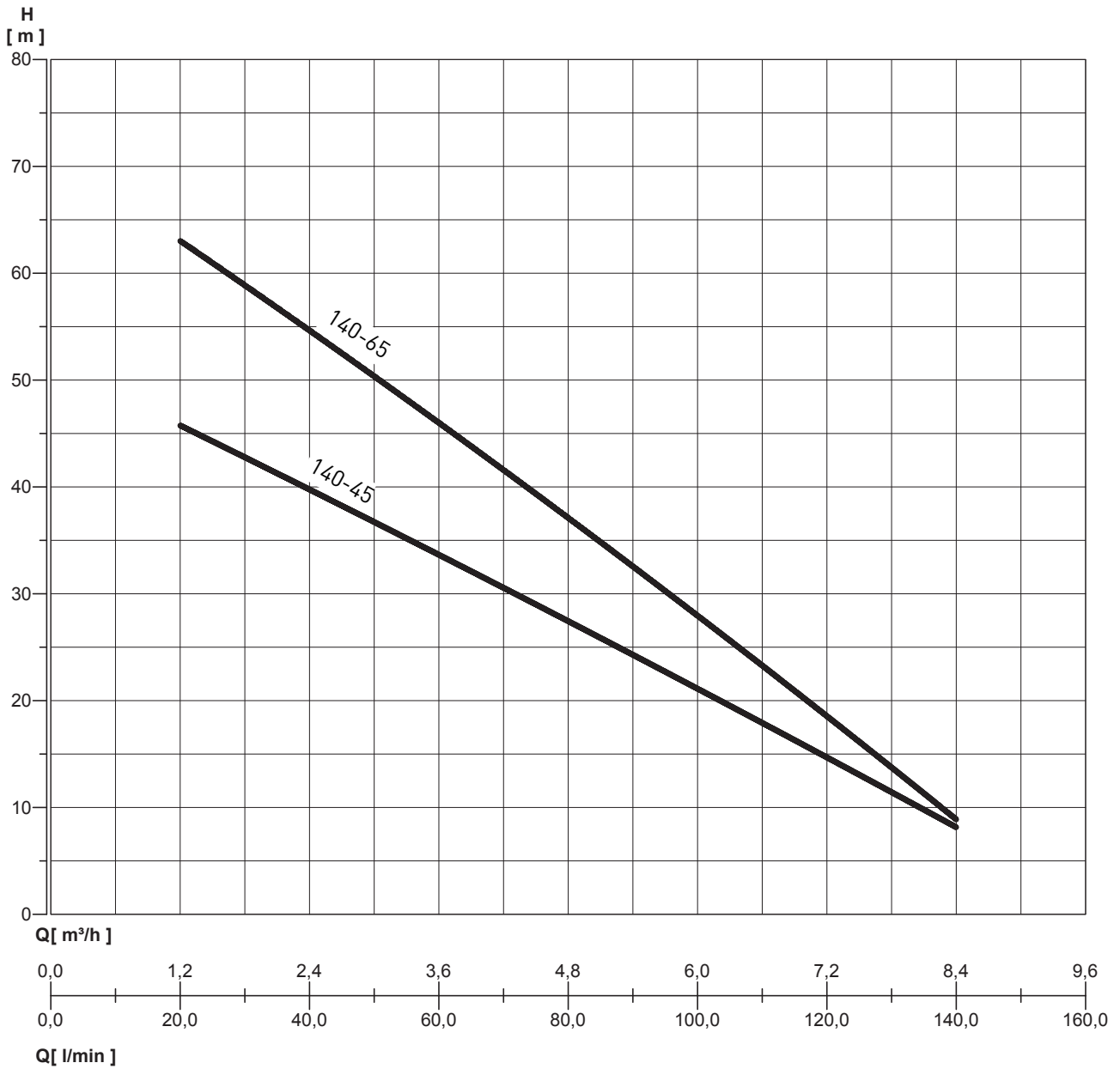
TABLE OF MATERIALS

Component		Material
1	Pump body	Stainless steel Europe: EN 10088-1 X5CrNi18-10 (1.4301) - USA: AISI 304
2	Impellers	Stainless steel Europe: EN 10088-1 X5CrNi18-10 (1.4301) - USA: AISI 304
3	Diffusers	Stainless steel Europe: EN 10088-1 X5CrNi18-10 (1.4301) - USA: AISI 304
4	Spacer	Stainless steel Europe: EN 10088-1 X5CrNi18-10 (1.4301) - USA: AISI 304
5	Base	Stainless steel Europe: EN 10088-1 X5CrNi18-10 (1.4301) - USA: AISI 304
6	Mechanical seal oil chamber - fixed part	Aluminium oxide / NBR
7	Mechanical seal - rotary part oil chamber	Stainless steel Europe: EN 10088-1 X5CrNi18-10 (1.4301) - USA: AISI 304 / NBR / Resin-impregnated graphite
8	Mechanical seal - fixed part	Aluminium oxide / NBR
9	Mechanical seal - rotating part	Stainless steel Europe: EN 10088-1 X2CrNiMo17-12-2 (1.4404) - USA: AISI 316L / NBR / Graphite
10	Motor shaft	Part in contact with the liquid - Stainless steel Europe: EN 10088-1 X5CrNi18-10 (1.4301)/ USA: AISI 304 Motor side - Graphite
11	Supply cable	Type H07 RN-F - Length 20 m

DOMINATOR 5 RW Pack

MULTISTAGE SUBMERSIBLE PUMP

HYDRAULIC PERFORMANCE

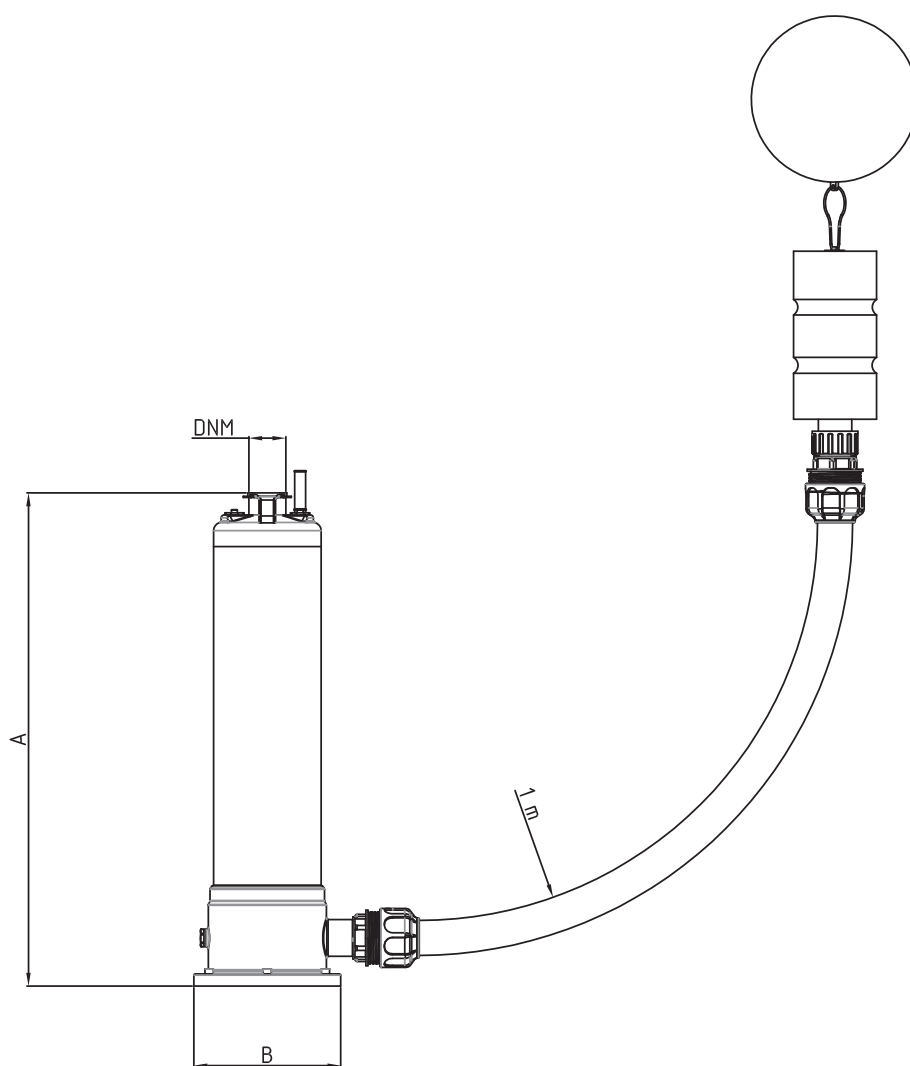


DOMINATOR 5 RW Pack

MULTISTAGE SUBMERSIBLE PUMP

PERFORMANCE TABLE

MODEL	Motor power (P2)		Motor power (P1)		VOLT. (V)	In (A)	µF	Stadi	0	m.c.w.							
	HP	kW	HP	kW						l/min	20	40	60	80	100	120	140
										m³/h	1,2	2,4	3,6	4,8	6	7,2	8,4
DOMINATOR 5 140/45B M RW Pack	1,2	0,9	1,8	1,3	1~230	6	16	5		47	38	33	28	22	15	7,5	
DOMINATOR 5 140/65B M RW Pack	1,6	1,2	2,2	1,7	1~230	7,7	20	7		63	55	45	38	28	19	9	



OVERALL DIMENSIONS AND WEIGHTS

MODEL	Dimensions (mm)				WEIGHT (kg)
	A	Ø B	DNM	Passaggio libero	
DOMINATOR 5 140/45B M RW Pack	540	176,5	1"1/4 femmina	2	20,4
DOMINATOR 5 140/65B M RW Pack	594	176,5	1"1/4 femmina	2	22