

CPS20

PRESSURE BOOSTER SET WITH TWO VARIABLE SPEED PUMPS

The new series of variable speed pressurization booster set CPS20 represents a reliable solution which is easy to use, for residential and industrial applications. The system involves the installation in parallel of two inverters integrated directly on the motor of each pump installed. The two frequency converters communicate and alternate the starting order of each work cycle, always keeping the pressure constant in the distribution system.

APPLICATIONS

- Lifting and distribution of water in domestic systems
- Pressurization systems
- Irrigation
- Industry
- Washes

TECHNICAL CHARACTERISTICS

- Supply voltage: inverter 1x230 Vac \pm 10 %.
- Inverter output voltage: 3x230 Vac \pm 10 %
- Maximum rated power: 2x2.4 kW
- Input frequency: 50/60 Hz + 3%
- Output maximum rated power: 8 Amp
- Degree of protection: IP54-DHR ; IP-44 JET, JETINOX
- Maximum temperature + 50°C
- Input filter complying with EMC directive
- Pressure transducer 0 - 5 Volt - 0 - 10 Bar
- Serial interface connectivity RS 485
- Optional contacts 3 (external set-point, alarm, system inhibition)

BASE

- In galvanized metal complete with rubber isolated pads

SUCTION MANIFOLD

In galvanized steel with:

- N.2 brass ball valves

DELIVERY MANIFOLD

In galvanized steel with:

- N.2 brass ball valves
- N.1 pressure gauge
- N.2 pressure sensors

Protection electrical panel with circuit breakers

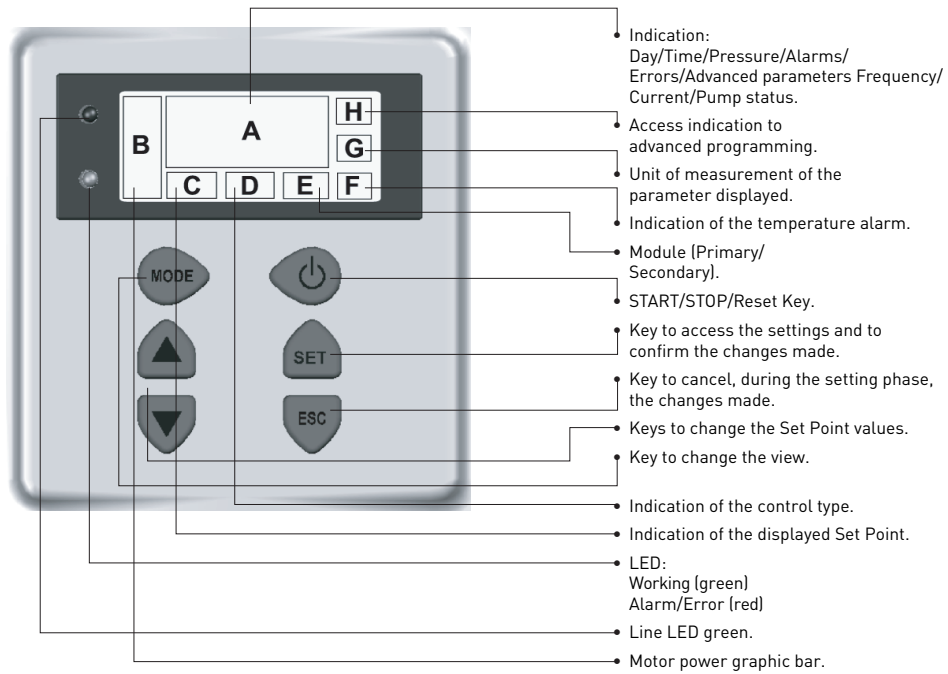


TYPE	MODEL	kW (P2)	Q1 l/m	Q2 l/m	H1 m	H2 m
HORIZONTAL	CPS20 JET 1000	2x1	10	140	42	20
	CPS20 JETINOX 90/50	2x0.9	20	160	44	3
	CPS20 DHR 2-50	2x0.5	20	100	25	12
	CPS20 DHR 4-50	2x0.7	80	240	39	17
	CPS20 DHR 4-60	2x1.1	80	240	49	25
	CPS20 DHR 9-40	2x1.3	80	480	40	10
	CPS20 DHR 9-60	2x1.9	804	80	60	14

CPS20

PRESSURE BOOSTER SET WITH TWO VARIABLE SPEED PUMPS

CONTROL PANEL

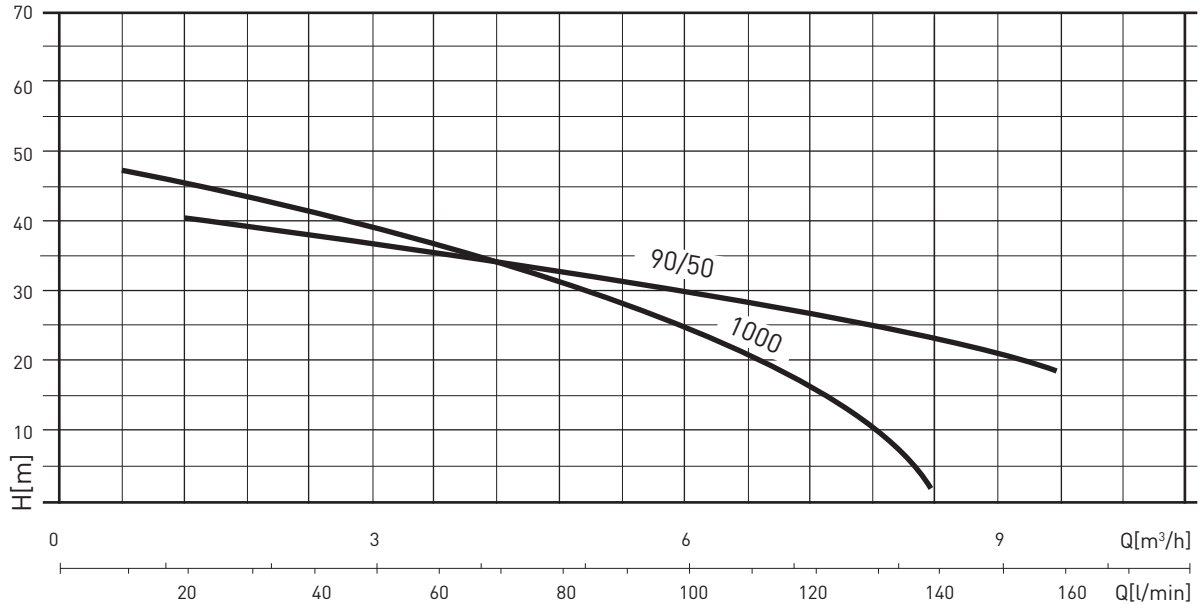


- Backlight display (switches off automatically after a pre-set time and can be turned on again by pressing any key)

CPS20 JET - JETINOX

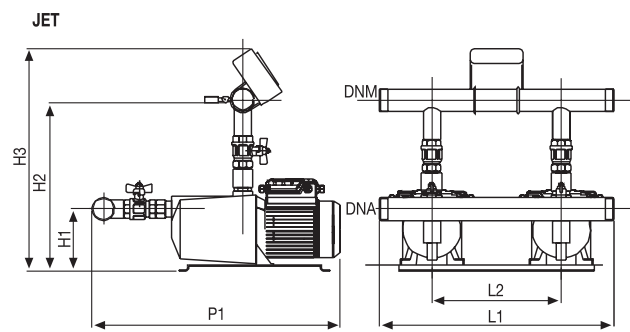
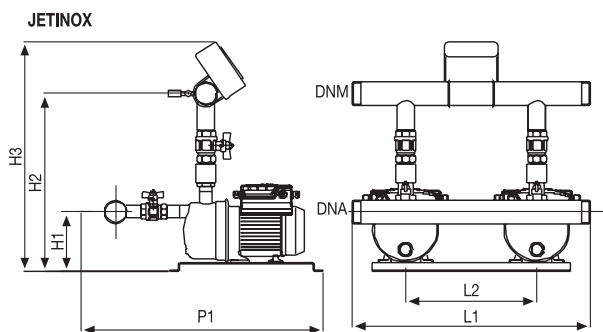
PRESSURE BOOSTER SET WITH TWO VARIABLE SPEED PUMPS

HYDRAULIC PERFORMANCE



PERFORMANCE TABLE

MODEL	P1		VOLT. (V)	In (A)	Q	l/min							
	HP	kW				20	40	60	80	100	120	140	160
CPS20-JETINOX90/50	2x2	2x1,5	1~230	2x9	m.c.w.	42	39	37	33	30	27	25	20
CPS20-JET 1000	2x1,5	2x1,1	1~230	2x7,7	m.c.w.	44	41	37	32	25	15	3	



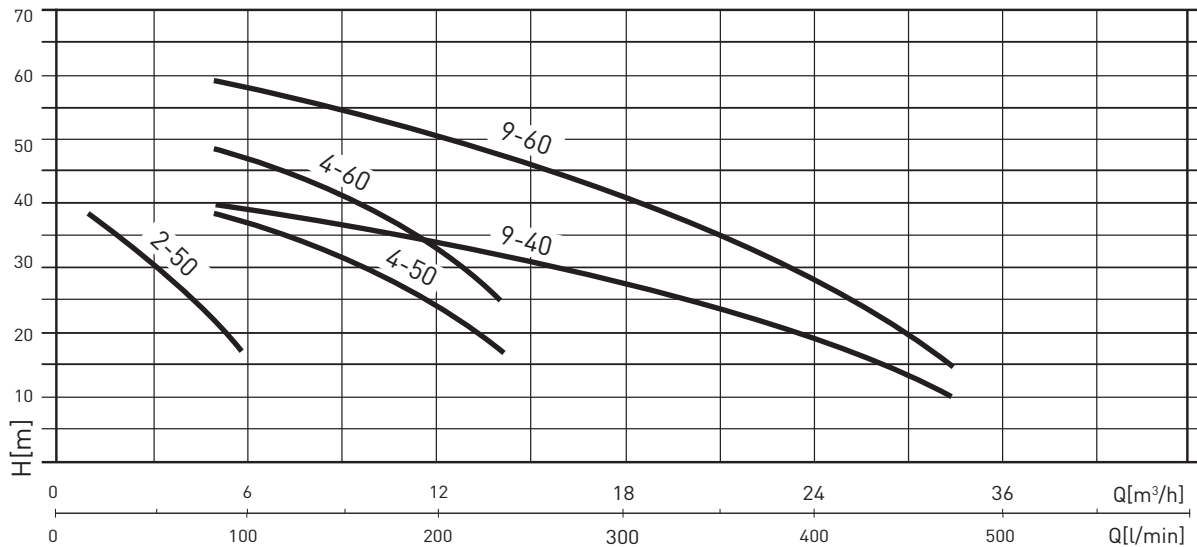
OVERALL DIMENSIONS AND WEIGHTS

MODEL	Dimensions mm.									WEIGHT Kg
	L1	L2	H1	H2	H3	P1	DNA	DNM		
CPS20 JETINOX 90/50	540	310	188	443	648	590	2"	1" 1/2	70	
CPS20 JET 1000	670	370	190	420	625	620	2"	2"	65	

CPS20 DHR

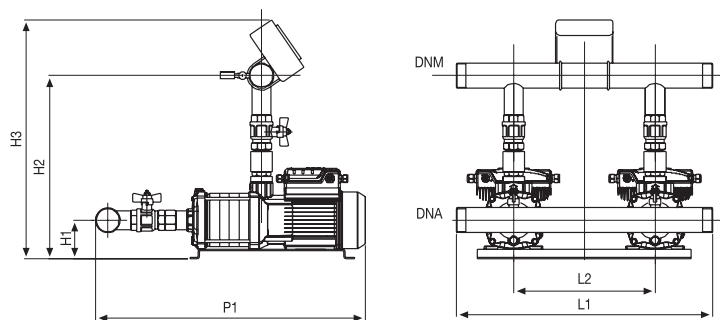
PRESSURE BOOSTER SET WITH TWO VARIABLE SPEED PUMPS

HYDRAULIC PERFORMANCE



PERFORMANCE TABLE

MODEL	P1		VOLT. (V)	In (A)	0	m.c.w.															
	HP	kW				l/min	20	40	60	80	100	120	160	200	240	320	400	480			
						0	1,2	2,4	3,6	4,8	6,0	7,2	9,6	12,0	14,4	19,2	24,0	28,8			
CPS20/DHR 2-50	2x1	2x1,0	1 ~ 230	2x5,5		39	35	30	23	17											
CPS20/DHR 4-50	2x1,7	2x1,1	1 ~ 230	2x10,6					39	38	35	31	25	17							
CPS20/DHR 4-60	2x2,15	2x1,1	1 ~ 230	2x9,5					49	47	45	41	34	25							
CPS20/DHR 9-40	2x2,15	2x1,1	1 ~ 230	2x9,5					40	39	38	38	35	33	27	19	10				
CPS20/DHR 9-60	2x3,35	2x2,2	1 ~ 230	2x15,8					60	58	57	56	53	49	40	29	14				



OVERALL DIMENSIONS AND WEIGHTS

MODEL	Dimensions mm.									WEIGHT Kg
	L1	L2	H1	H2	H3	P1	DNA	DNM		
CPS20/DHR 2-50	540	310	100	365	572	525	2"1/2	1"1/2	57	
CPS20/DHR 4-50	540	310	100	365	572	587	2"	1"1/2	62	
CPS20/DHR 4-60	540	310	110	377	585	640	2"	1"1/2	68	
CPS20/DHR 9-40	670	370	110	445	660	610	2"1/2	2"	77	
CPS20/DHR 9-60	670	370	110	445	660	670	2"1/2	2"	89	