

# JUNG PUMPEN BAUFIX 200 UNDERFLOOR SUMP

## APPLICATION

Baufix 200 is for bigger domestic wastewater volume and larger storage capacity. Without requiring a great deal of construction work, it disposes of domestic wastewater from laundries, storage or cellar areas.

Baufix 200 can be installed as a single as well as duplex system. The required components for the installation of the pump are part of the scope of supply. The duplex system provides bigger security in the disposal in wastewater. In normal operation the two pumps operate alternately or at the same time to cope with peak load.

The pump to be placed can be selected according to the amount of wastewater. The dirty water to be transported and the pumping power required have to be taken into consideration in particular. In case of slightly dirty water, pumps U3K, U5K or U6K E+D can be used. If the admixtures are larger or the volume of wastewater is bigger, the use of a pump of the US series is recommendable. Pumps US 73+103 Ex are used in hazardous areas. In case of commercial applications, the resistance of the materials have to be tested in advance. Depending on the type of pump used, the Hebefix 200-40 with 1½" or the Hebefix 200-50 with 2" discharge branch has to be chosen.

Without formwork, the pressure-resistant plastic container is placed into the concrete bed and forms a collecting tank for underfloor pipework. The installation in areas subject to the groundwater flooding is permitted only along with additional measures (water-tight concrete shell) as the connection between PE and concrete does not withstand pressing water.

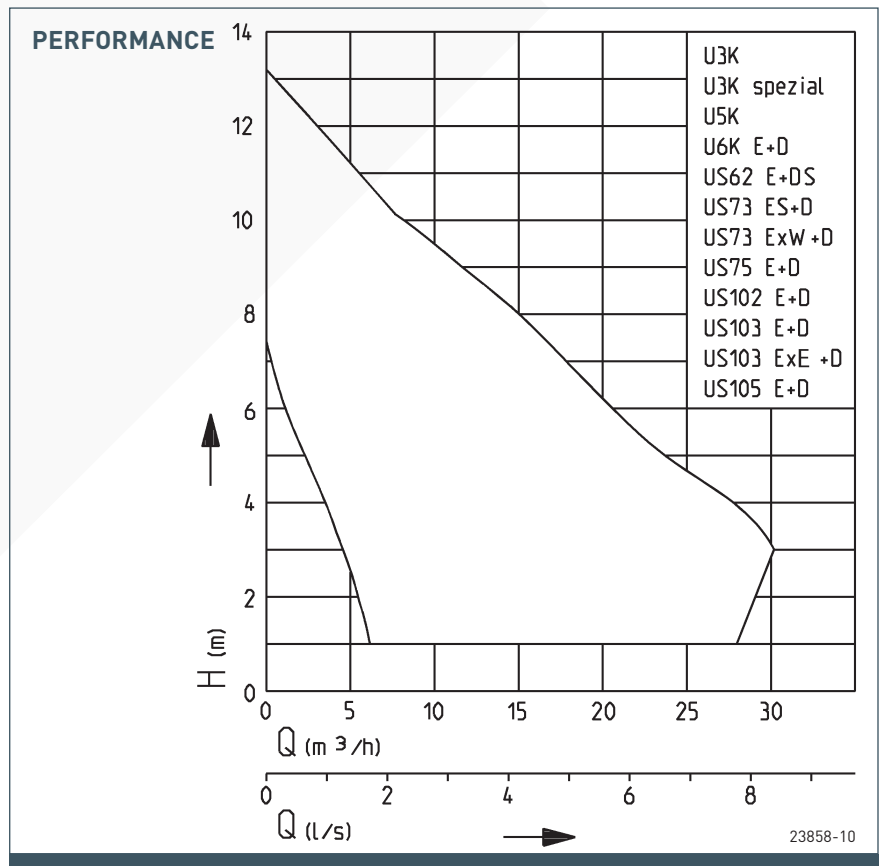
By subsequently adjusting the plastic cover frame, the sump cover can be adapted easily and variably to the floor and tile conditions.

The unit is in conformity with the specification of German / European standard DIN EN 12050.



Baufix 200-40 duplex unit

- Odour trap
- Floor drain
- Single and duplex system
- Complete tank pressure pipe with duplex swing-type check valve
- Level-compensating frame
- Extendable tank neck



We reserve the right to change specifications without notice

Pump performance is subject to ISO 9906 tolerances

The minimum flow velocity in the pressure piping must be 0.7 m/s according to EN 12056.  
This data is represented in the performance curve as a limit of application.

# JUNG PUMPEN BAUFIX 200

## UNDERFLOOR SUMP

### BAUFIX 200

Type	Dimensions H x W x D	Weight	Code No.
Baufix 200-40 with floor drain and cover, without pumps	750 x 760 x 760 mm	20.5 kg	<b>JP09991</b>
Baufix 200-50 with floor drain and cover, without pump	750 x 760 x 760 mm	20.5 kg	<b>JP44989</b>

### PERFORMANCE

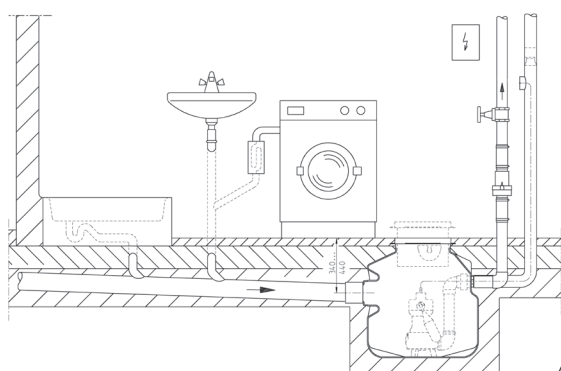
Baufix 200-40 with	Delivery head H [m]	1	2	3	4	5	6	7	8	9	10	11	12
U3K	Flow rate Q [m³/h]	6.5	5.5	5	4	3	1.5						
U3K spezial		6.5	5.5	5	4	3	1.5						
U5K		11	10.5	9	7.5	6.5	4.5	2.5					
U6K E/D		15.5	14	12.5	11	9	7.5	5.5	3.5	1.5			
US 62 E/US 73 E		19	17	15	12	10	8	6	4	2			
US 62 D/US 73 D		22	20	17	15	12	10	8	6	4			
US 102 E/D/US 103 E/D		28	26	23	21	19	17	15	12	10	8	5	2
US 73 Ex W		19	17	15	12	10	8	6	4	2			
US 73 Ex D		22	20	17	15	12	10	8	6	4			
US 103 Ex W/D		28	26	23	21	19	17	15	12	10	8	5	2
Baufix 200-50 (only single unit) with													
US 75 ES			20	16	13	10	7	4					
US 75 DS			23	19	16	12	10	7	3				
US 105 ES				28	25	22	19	16	13	10	7	3	
US 105 DS				29	26	23	20	17	14	11	8	4	

Caution ! When used as a single system a pump with float switch fitted has to be selected.

### ELECTRICAL DATA

Baufix sump optionally with type	Type of current	Voltage Volt	Motor rating kW		RPM min <sup>-1</sup>	Current Ampere	Motor protection	Plug
			P <sub>1</sub>	P <sub>2</sub>				
U3K	1-phase	1/N/PE~230	0.32	0.20	2720	1.4		Safety-
U3K spezial	1-phase	1/N/PE~230	0.32	0.20	2720	1.4		Safety-
U5K	1-phase	1/N/PE~230	0.52	0.38	2716	2.3		Safety-
U6K E	1-phase	1/N/PE~230	0.75	0.49	2645	3.3		Safety-
U6K D	3-phase	3/PE~400	0.75	0.55	2678	1.3	installed	CEE-
US 62 E / US 73 E	1-phase	1/N/PE~230	0.83	0.50	2510	3.9	in the	Safety-
US 62 D	3-phase	3/PE~400	0.85	0.65	2715	1.4	winding	CEE-
US 73 D	3-phase	3/PE~400	0.85	0.60	2800	1.4		CEE-
US 102 E	1-phase	1/N/PE~230	1.37	0.98	2700	6.0		Safety-
US 102 D	3-phase	3/PE~400	1.36	1.06	2740	2.4		CEE-
US 103 E	1-phase	1/N/PE~230	1.37	0.98	2700	6.0		Safety-
US 103 D	3-phase	3/PE~400	1.36	1.06	2740	2.4		CEE-
US 73 Ex W	1-phase	1/N/PE~230	0.83	0.50	2510	3.9	in the	ohne
US 73 Ex D	3-phase	3/PE~400	0.85	0.60	2800	1.4	control	ohne
US 103 Ex W	1-phase	1/N/PE~230	1.37	0.98	2700	6.0	+ winding	ohne
US 103 Ex D	3-phase	3/PE~400	1.36	1.06	2740	2.4	thermostat	ohne
US 75 ES	1-phase	1/N/PE~230	0.83	0.50	2510	3.9	integrated	Safety-
US 75 DS	3-phase	3/PE~400	0.85	0.60	2800	1.4	integrated	CEE-
US 105 ES	1-phase	1/N/PE~230	1.37	0.98	2700	6.0	integrated	Safety-
US 105 DS	3-phase	3/PE~400	1.36	1.06	2740	2.4	integrated	CEE-

### Mounting arrangement Baufix 200




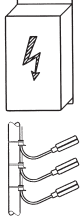




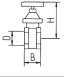
44697-00

When used downstream of the backpressure level, German / European standard DIN EN 12056 requires the pressure pipe to be connected elastically and to be passed over the locally defined backpressure level in a loop. Moreover, the installation of a non-return valve is prescribed, which has been tested in keeping with German / European standard DIN EN 12050-4. In addition, we recommend an alarm system for monitoring.

# JUNG PUMPEN BAUFIX 200

## UNDERFLOOR SUMP

### ACCESSORIES

	Code No.	Einzelanlage	Doppelanlage		
 <p>① <b>Alarm unit AG3</b> with submersible ball contact switch, separate, mains-dependent, with potential-free contact and 3 m cable  <b>Alarm unit AG10</b> ditto, with 9.5 m cable,  <b>Alarm unit washing machine stop AW3</b> with submersible ball contact switch, separate, mains-dependent, and 3 m cable  <b>Alarm unit washing machine stop AWO</b>                      (plug housing - for alarm forwarding in case of several washing machines)  <b>Control unit AD 4 Ex W</b> (only for US 73 Ex W)  <b>Control unit AD 8 Ex W</b> (only for US 103 Ex W)  <b>Control unit AD 23 Ex</b> (only for US 73 Ex D)  <b>Control unit AD 25 Ex</b> (only for US 103 Ex D)  <b>Auxiliary switch unit</b> ExH-A (for explosion-proof pumps only)  <b>Dry run protection</b>  <b>Level switch</b>, for US 73 Ex and US 103 Ex (single system)</p>	<p><b>JP44891</b></p> <p><b>JP44892</b></p> <p><b>JP44895</b></p> <p><b>JP44899</b></p> <p><b>JP25901</b></p> <p><b>JP25902</b></p> <p><b>JP09754</b></p> <p><b>JP09683</b></p> <p><b>JP16720</b></p> <p><b>JP44603</b></p> <p><b>upon request</b></p>	<p>•</p> <p>•</p> <p>•</p> <p>•</p> <p>•</p> <p>•</p> <p>•</p> <p>•</p> <p>•</p> <p>•</p>			
	 <p>① <b>Control unit</b> BD 00 E (AC pumps)  <b>Control unit</b> BD 00 (three-phase pumps)  <b>Control unit</b> BD 23 Ex (only for US 73 Ex D)  <b>Control unit</b> BD 25 Ex (only for US 103 Ex D)  <b>Auxiliary switch unit</b> ExH-B (for explosion-proof pumps only)  <b>Dry run protection</b>  <b>Submersible switch pack</b>,  <b>Submersible switch pack</b>, for grease-containing waste-water                      Recommended for use with grease separators. Pipes especially resistant to oil and hydrolysis.                      Control units for duplex systems with pumps US 73 Ex W and US 103 Ex W upon request</p>	<p><b>JP45735</b></p> <p><b>JP45993</b></p> <p><b>JP09755</b></p> <p><b>JP09681</b></p> <p><b>JP00295</b></p> <p><b>JP44603</b></p> <p><b>JP23857</b></p> <p><b>JP42230</b></p>		<p>•</p> <p>•</p> <p>•</p> <p>•</p> <p>•</p> <p>•</p> <p>•</p>	
		 <p>② <b>Rechargeable battery</b> for mains-independent alarm</p>	<b>JP44850</b>	•	•
		 <p>③ <b>Seal leak detector</b> DKG (for US pumps only)                      DKG Ex (only for US 73 Ex + US 103 Ex)</p>	<p><b>JP44900</b></p> <p><b>JP00249</b></p>	•	•
		 <p>④ <b>Cover plate</b>, stainless steel, to be tiled with floor drain and odour trap</p>	<b>JP24024</b>	•	•
		 <p>⑤ <b>Cover frame</b> stainless steel</p>	<b>JP28118</b>	•	•
		 <p>⑥ <b>Stop valve</b>, 1½" (DN 40), PN 16</p>	H W D		
			<b>Stop valve</b> , 2" (DN 50), PN 16	125 max. 60 1½"	•
	<p>⑦ <b>Special ventilation</b>, special filter with housing</p>	<b>JP27484</b>	•	•	

### MOUNTING INSTRUCTIONS

#### Floor-level compensation

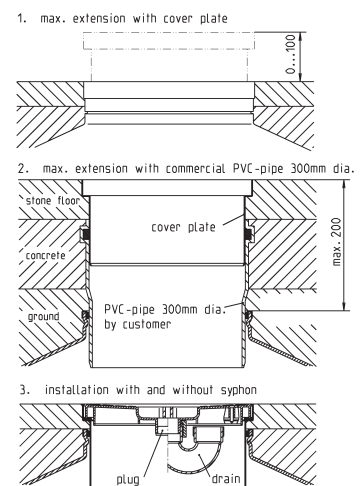
The cover with the round throat shoulder in the sump opening can be aligned vertically and rotationally. Thus, Baufix can be adapted to the effective upper edge of floor coverings or tiles laid at a later point. A profile sealing ring is used to seal the space between sump and cover.

#### Extended floor level compensation (to be provided by customer)

If and when required, a commercially available DN 300 pipe can be used by the customer to increase the installation depth up to approx. 200 mm. The pumps have to be accessible for maintenance work. The PVC pipe is inserted into the tank instead of the cover frame. The frame is then pushed into the socket of the PVC pipe.

#### Odour trap

An odour trap is provided as a standard for the floor drain. The necessary siphon components belong to the scope of supply.



23792-02

# JUNG PUMPEN BAUFIX 200

## UNDERFLOOR SUMP

### TECHNICAL DATA

#### Tank

Water-tight PE tank (220 l) with connecting piece for one inlet DN 150/200 and one DN 100, connecting piece for ventilation / cable conduit (DN 70) and for Baufix 200-40 connection piece for pressure pipe DN 40 (PVC pipe, diam. 50 mm), or for Baufix 200-50 male thread 2", level-compensating plastic frame, odour-tight plastic cover (screw fitted) and odour-tight floor drain.

All junctions (tank / plastic cover frame and plastic cover frame / cover plate) are fitted with profiled seals.

#### Installation

Place the underfloor sump in the prepared pit and align. Make the pipe connections, and encase the sump with concrete flush with the upper edge.

Insulation, screed and flooring material are levelled by the height-adjustable plastic cover frame.

Screw the pipe connection supplied into the pressure line connection of the pump (shorten pipe length as specified). Use the elastic pipe connections to connect the pump to the premounted Y section in the sump. Pass the power cable of the pump and the KT switch through the venting line up to the T piece (to be provided by the customer according to the installation drawing). The outlet is then

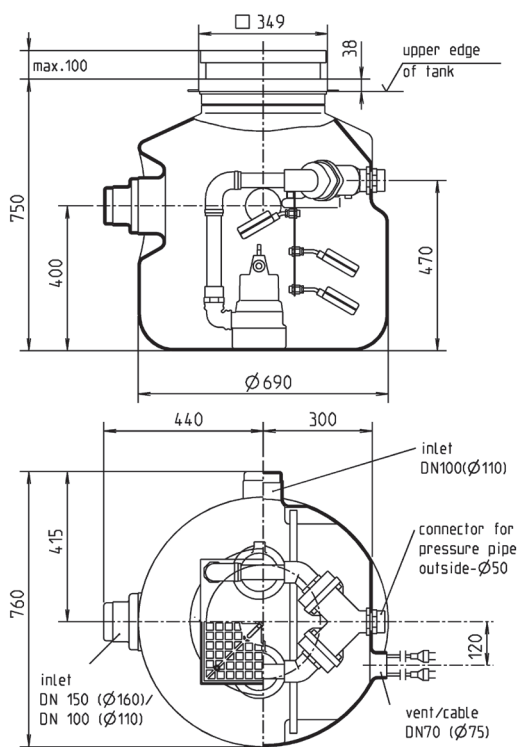
sealed odour-tight with the closing plug provided. If ventilation is not possible via the roof, the special ventilation system (see accessories / installation drawing) can be used.

#### Scope of supply

Plastic sump to house a pump tested in keeping with German / European standard DIN EN 12050 with shaped connecting piece with level-compensating plastic cover frame with cover plate and odour trap for floor drain, hose connection, premounted pressure pipe with duplex swing-type check valve (not Baufix 200-50), plug for cable conduit, without pumps.

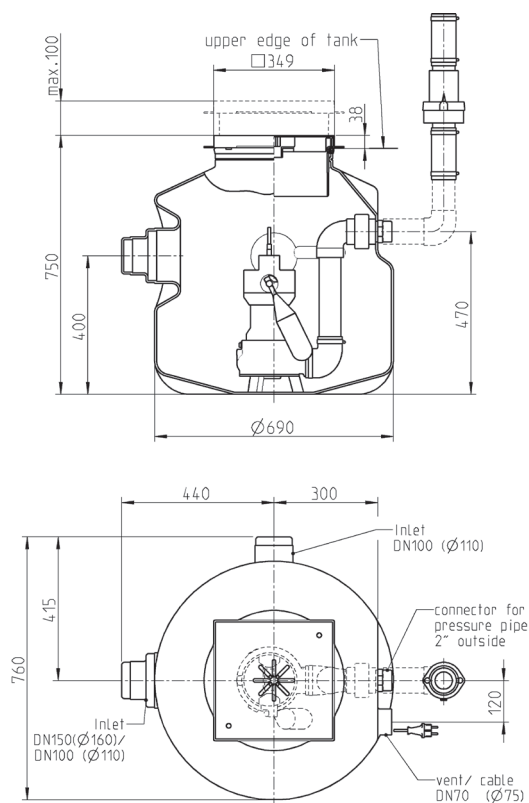


Dimensions Baufix 200-40 duplex unit (mm)



24060-06

Dimensions Baufix 200-50 single unit (mm)



44696-00