

AUTOJET

PUMPS WITH ELECTRONIC CONTROL AND PROTECTION DEVICE

Automatic unit to increase the pressure in the domestic water system. Consisting of a single phase pump like Jetinox and of the electronic device FLUSSCONTROL BASIC, which controls the automatic operation of the pump and protects it in case of a lack of water. It comes assembled, wired, ready for installation and use.

APPLICATIONS

- Lifting and distribution of water in domestic systems
- Pressurization systems.
- Washing and irrigation.

ADVANTAGES

- Reduces water hammer effect
- Replaces traditional expansion tank system
- Maintenance free
- Protection in event of water supply failure
- Simple to install
- Pressure remains constant during supply

MOTOR

- Closed, ventilated from outside.
- Degree of protection IP 44.
- Insulation class F.
- Single-phase power supply with capacitor always on.
- Thermal protection built into the motor casing.
- Speed of rotation 2850 rpm.
- Continuous service.

CONSTRUCTION FEATURES

- Flusscontrol Basic:
- Maximum pressure 8 bar
- Maximum temperature 40°C
- Power cable 1.5 m H07 RN-F with plug.

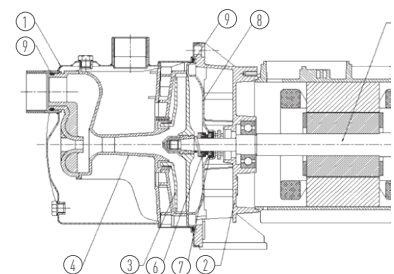
USAGE DATA

- Type of liquid: clean water without suspended solids or abrasive material.
- Maximum temperature of the liquid 40°C.
- Maximum recommended intake height: 8 m with bottom valve.
- Maximum operating pressure: 6 bar.



TABLE OF MATERIALS

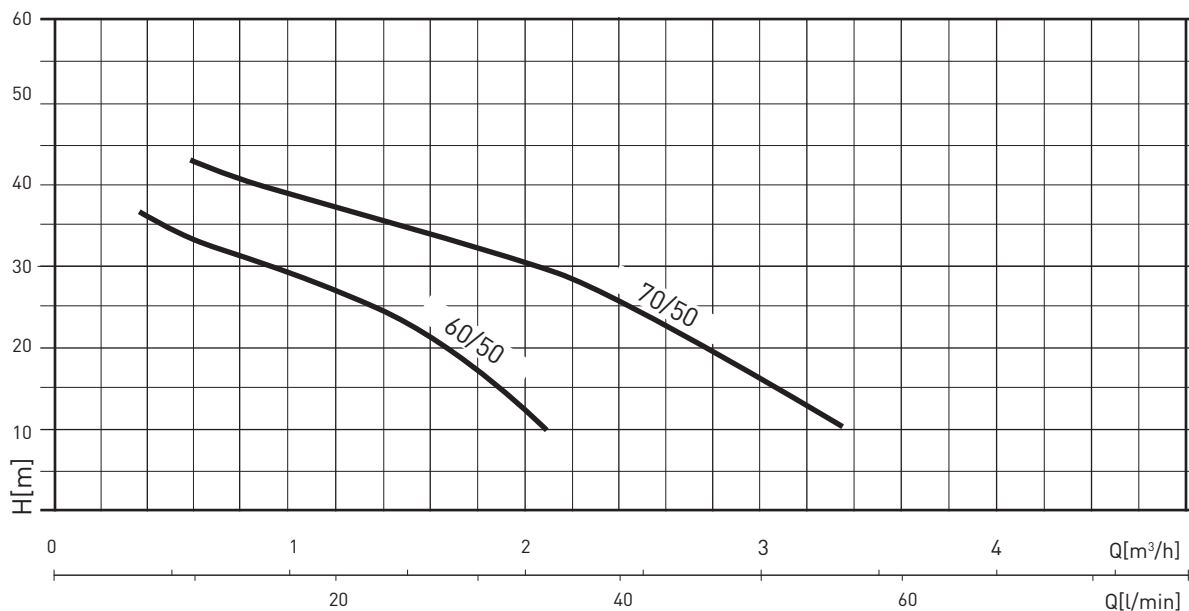
Component	Material
1 Pump body	Stainless steel X5 CrNi 1810 (AISI 304)
2 Motor casing	Die-cast aluminium
3 Impeller	Technopolymer with stainless steel shim ring
4 Diffuser monobloc group Venturi tube-nozzle	Technopolymer
5 Shaft	Stainless steel X 12 CrNiS 1809 (AISI 416)
6 Mechanical seal	Graphite
7 Counterface	Ceramic
8 Seal holder plate	Technopolymer (series 45-60-70) Stainless steel X5 CrNi 1810 (AISI 304) series 90
9 Gaskets	NBR 70 Shore



AUTOJET

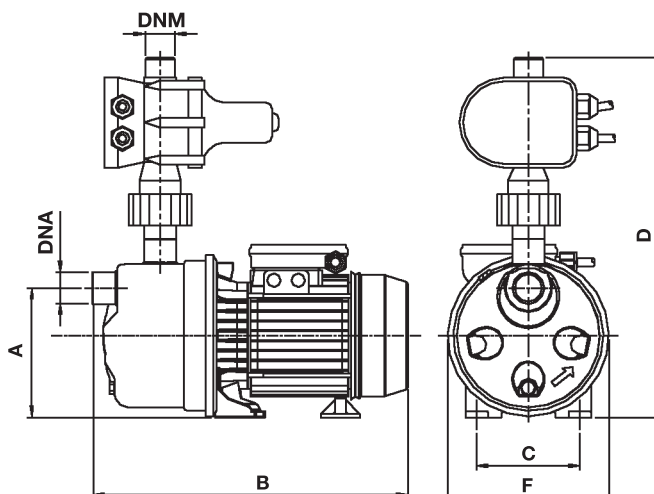
PUMPS WITH ELECTRONIC CONTROL AND PROTECTION DEVICE

HYDRAULIC PERFORMANCE



PERFORMANCE TABLE

MODEL	Motor power (P2)		Motor power (P1)		VOLT (V)	I _n (A)	μF	0	m.c.w.							
	HP	kW	HP	kW					l/min	0	10	20	30	40	50	60
									m³/h	0	0,6	1,2	1,8	2,4	3	3,6
AUTOJET 60/50	0,75	0,55	1,10	0,8	1~230	4	12,5		46	36	31	26	18	6		
AUTOJET 70/50	0,95	0,7	1,36	1,0	1~230	4,5	16		48	42,5	37,5	32	25	16,5	7	



OVERALL DIMENSIONS AND WEIGHTS

MODEL	Dimensions mm.							WEIGHT (Kg)
	A	B	C	D	E	DNA	DNM	
AUTOJET 60/50	140	374	99	391	194	1" F	1" M	9,4
AUTOJET 70/50	144	351	99	397	195	1" F	1" M	10,7